

Swagelok® Ball Valve Actuation Options



- Rack and pinion pneumatic actuators, solenoid valves, and limit switches
- ISO 5211-compliant pneumatic actuators, solenoid valves, limit switches, and position sensors
- Complete actuated assemblies and kits for field assembly available

Contents

Swagelok Ball Valve Actuation Options 2

Ordering Multiple Ball Valve Actuation Options 2

Swagelok 130 and 150 Series
Pneumatic Actuators 3

Solenoid Valves for Swagelok 130 and 150 Series
Pneumatic Actuators 5

Limit Switches for Swagelok 130 and 150 Series
Pneumatic Actuators 7

Swagelok ISO 5211-Compliant Pneumatic
Actuators 10

Solenoid Valves for Swagelok ISO 5211-Compliant
Pneumatic Actuators 12

Limit Switches for Swagelok ISO 5211-Compliant
Pneumatic Actuators 14

Position Sensors for Swagelok ISO 5211-Compliant
Pneumatic Actuators 16

Swagelok Ball Valve Actuation Options

Swagelok offers a range of accessories to enhance instrumentation and process ball valve performance and control, including pneumatic actuators, solenoid valves, limit switches, and position sensors.

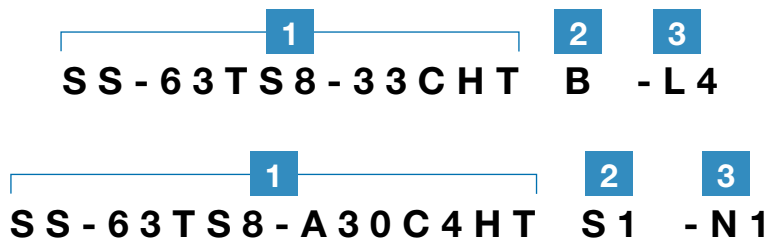
- **Pneumatic actuators** are available in both our standard 130 and 150 series rack and pinion models and in our ISO 5211-compliant models.
- **Solenoid valves** attach to the actuator to create an electropneumatically actuated assembly.
- **Limit switches** indicate actuator position by means of an electrical signal.
- **Position sensors** provide visual status of a valve. Factory assemblies and kits for field assembly are available.

Regional Ordering Information

Pneumatic actuators and position sensors in this product catalog are available to customers worldwide. Limit switches and solenoid valves meet voltage and approval requirements associated with the North American region. A wide variety of limit switches and solenoid valves to meet the voltage and approval requirements of your region are available. For the products you need please contact your authorized Swagelok sales and service representative.

Ordering Multiple Ball Valve Actuation Options

Swagelok ball valves are available with multiple actuation options to meet specific system requirements. Add designators in the order shown. Contact your authorized Swagelok representative with any questions.



- 1 Valve-Actuator-Solenoid Operation** (pages 6 and 13)
- 2 Solenoid Voltage** (pages 6 and 13)
- 3 Limit Switch or Position Sensor** (limit switches—pages 7, 8, and 14; position sensor—page 16)

⚠ Caution: Actuated assemblies must be properly aligned and supported. Improper alignment or inadequate support of the actuated assembly may result in leakage or premature valve failure.

Swagelok 130 and 150 Series Pneumatic Actuators

Features

- 90° actuation
 - 2-way (straight and angle) flow paths
 - 3-way (L and H special flow paths)
 - 4-way flow paths
- 180° actuation for other 3-way flow paths
- Spring-return and double-acting models available
- Special service actuators
 - High temperature
 - Low temperature
 - Nonfluorocarbon
- Low-pressure spring-return actuators for lower-pressure air are available. Contact your authorized Swagelok representative.



**Swagelok 133 Series
Pneumatic Actuator**
(spring-return model shown)

Swagelok Ball Valve
(60 series valve shown)

Technical Data

Service Ratings

| Actuator Service | Temperature Range °F (°C) | Maximum Actuator Pressure psig (bar) | |
|------------------|------------------------------|---|------------------------|
| | | At 100°F (37°C) | At Maximum Temperature |
| Standard | -20 to 200 (-28 to 93) | 200 (13.7) | 165 (11.3) |
| High temperature | 0 to 400 (-17 to 204) | | 100 (6.8) |
| Low temperature | -40 to 200 (-40 to 93) | | 165 (11.3) |
| Nonfluorocarbon | -20 to 200 (-28 to 93) | | 165 (11.3) |

For minimum required actuator operating pressures, see individual Swagelok ball valve product catalogs.

Air Displacement

| Actuator Model | Volume in. ³ (cm ³) |
|-----------------------|---|
| 90° Actuation | |
| 131 | 1.5 (24.6) |
| 133 | 4.9 (80.3) |
| 135 | 15.5 (254) |
| 180° Actuation | |
| 151 | 3.0 (49.2) |
| 153 | 9.6 (157) |
| 155 | 30.5 (500) |

Approximate Weight

Actuator and mounting kit

| Actuator Model | Weight lb (kg) |
|----------------------|-------------------|
| Spring Return | |
| 131, 151 | 1.5 (0.7) |
| 133, 153 | 3.8 (1.7) |
| 135, 155 | 12.5 (5.7) |
| Double Acting | |
| 131, 151 | 1.3 (0.6) |
| 133, 153 | 2.5 (1.1) |
| 135, 155 | 9.7 (4.4) |

Swagelok Pneumatic Actuators

Materials of Construction

| Component | Actuator Service | | | |
|--|---|------------------|-------------------|--------------------|
| | Standard | High Temperature | Low Temperature | Non-fluorocarbon |
| | Material | | | |
| Body, cap | Anodized cast aluminum alloy with black urethane exterior finish | | | |
| Piston | Cast aluminum alloy | | | |
| Output shaft | Hardened 416 SS | | | |
| Shaft bushing(s) (131, 133, 151, and 153 series—2; 135 and 155 series—1) | Bronze | PEEK | Bronze | PEEK |
| O-rings | Buna N | Fluorocarbon FKM | Buna C | Ethylene propylene |
| Spring | Zinc phosphate-plated alloy steel | | | |
| Internal screw | 131, 133, 151, and 153 series—cadmium-plated steel; 135 and 155 series—steel | | | |
| Cap screws | Cadmium-plated steel | | | |
| Retaining rings | Cadmium- or zinc-plated steel | | | |
| Roll pin (131, 133, 151, and 153 series) | 420 SS | | | |
| Wall mount bracket | Stainless steel | | | |
| Lubricant | Multipurpose hydrocarbon | PTFE-based | Hydrocarbon-based | Silicone-based |

Ordering Information

Swagelok pneumatic actuators are available factory assembled to valves or in kits for field assembly. See the Swagelok ball valve catalogs for complete ordering instructions, including suggested actuators and necessary mounting components.

- *One-Piece Instrumentation Ball Valves—40G Series and 40 Series (MS-02-331)*
- *Ball Valves, General Purpose and Special Application—60 Series (MS-01-146)*
- *Trunnion Ball Valves—83 and H83 Series (MS-01-166)*
- *Swagelok Alternative Fuel Service (AFS) Ball Valves for High-Pressure, High-Flow Applications (MS-02-303)*
- *Multipurpose Ball Valves—SK Series (MS-02-345)*

Solenoid Valves for Swagelok 130 and 150 Series Pneumatic Actuators

Solenoid valves for Swagelok 130 and 150 series actuators are manufactured by MAC Valves.

Features

Available for use with:

- Spring-return pneumatic actuators (3-way, 2-position)
- Double-acting pneumatic actuators (4-way, 2-position).

Technical Data

For additional technical information, see MAC® 900 series (standard solenoid) and MAC 200 series (explosion-proof solenoid) product literature.

Actuation Pressure

25^① to 150 psig (1.7 to 10.3 bar)

- ① 25 psig (1.7 bar) is the minimum requirement for the solenoid valve. See valve product catalogs for minimum actuator pressure requirements.

Temperature Range

0 to 120°F (-17 to 48°C)

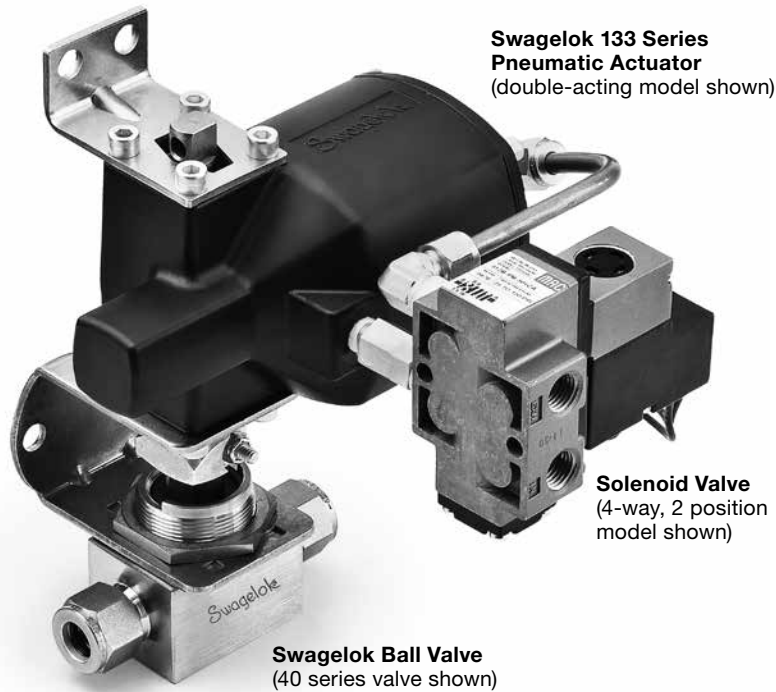
Electrical Data

- General-purpose, class A coil, continuous duty, encapsulated
- 18 AWG lead wires, 18 in. (46 cm) long
- 1/2 in. female NPS electrical conduit connection (enclosure)
- MAC 200 explosion-proof models—CSA (Canada and U.S.A.) compliance:
 - Division 1, Class I, Groups B, C and D
 - Class II, Groups E, F, and G.

Materials of Construction

| Component | Material |
|------------------------------|--------------------------|
| Solenoid body, spool, poppet | Aluminum |
| Spool O-ring | Buna N |
| Fasteners | Zinc-plated alloy steel |
| Lubricants | Silicone- and PTFE-based |

Solenoid valves are assembled with brass Swagelok fittings. Copper tubing is used with double-acting actuators.



Swagelok 133 Series Pneumatic Actuator
(double-acting model shown)

Solenoid Valve
(4-way, 2 position model shown)

Swagelok Ball Valve
(40 series valve shown)

Operating Modes

Air pressure is required to cycle the ball valve. See valve product catalogs for minimum actuator pressure requirements.

| Actuator / Solenoid Operation | Valve Position | | Designator |
|--|--------------------|-----------------------|------------|
| | Solenoid Energized | Solenoid De-energized | |
| 2-Way (90°) Actuation | | | |
| Spring-return, normally closed / energized to open | Open | Closed | C |
| Spring-return, normally open / energized to close | Closed | Open | O |
| Double-acting / energized to open | Open | Closed | DC |
| Double-acting / energized to close | Closed | Open | DO |
| 3-Way (90° and 180°) Actuation | | | |
| Spring-return / energized to switch | Opposite port | Initial position | S |
| Double-acting / energized to switch | Opposite port | Initial position | D |

⚠ Warning:

Following a significant loss of air pressure to *spring-return actuators*, the ball valve will return to the solenoid de-energized position, whether the solenoid is energized or not.

Following a significant loss of air pressure to *double-acting actuators*, the ball valve may cycle.

Solenoid Valves for Swagelok 130 and 150 Series Pneumatic Actuators

Ordering Information

Factory-Assembled Valves with Solenoids

Typical Ordering Number

A B C D
SS-63TS8-33 C HT B

A Valve-Actuator Ordering Number

Build a Swagelok ball valve-pneumatic actuator assembly ordering number from the product catalog.

B Actuator / Solenoid Operation

(see page 5)

2-Way (90°) Actuation

C = Spring return, normally closed / energized to open 90°

DC = Double-acting / energized to open

DO = Double-acting / energized to close

O = Spring return, normally open / energized to close

3-Way (90° and 180°) Actuation

D = Double acting / energized to switch

S = Spring return, switching / energized to switch 180°

C Actuator Service

FP = Fusible plug^①

HT = High temperature^②

LT = Low temperature

NF = Nonfluorocarbon^③

None = Standard

^① Available for 60 series fire series (A60T) valves: a fail-safe pneumatic actuator that contains a Swagelok fusible plug and a Swagelok mud-dauber fitting. The fusible plug melts if the external temperature reaches 280°F (137°C), relieving pressure in the actuator and allowing the valve to cycle closed.

^② Suggested for 60 series steam service (S60P) and thermal service (T60M) valves.

^③ Suggested for factory-assembled valves with UHMWPE seats and packing.

D Solenoid Voltage

B = 12 V (dc)

C = 24 V (dc)

D = 110 / 120 V (ac)

E = 220 / 240 V (ac)

J = Explosion proof 24 V (dc) / 120 V (ac) for spring-return actuator

K = Explosion proof 24 V (dc) / 120 V (ac) for double-acting actuator

Solenoids for Field Assembly

Solenoid pneumatic ports are 1/4 in. female NPT connections.

Kits for mounting solenoids to Swagelok 130 and 150 series pneumatic actuators are available separately.

| Solenoid Voltage | Solenoid Ordering Number |
|--|--------------------------|
| 12 V (dc) | A-SVMF4-C12D |
| 24 V (dc) | A-SVMF4-C24D |
| 110 / 120 V (ac) | MS-SVMF4-C120A |
| 220 / 240 V (ac) | MS-SVMF4-C240A |
| Explosion proof 24 V (dc) / 120 V (ac), spring-return actuator | MS-SV-64 |
| Explosion proof 24 V (dc) / 120 V (ac), double-acting actuator | MS-SV-55 |

Solenoid Mounting Kits

Solenoid kits for mounting to Swagelok 130 or 150 series pneumatic actuators contain all connections needed for direct mounting and manufacturer instructions.

| Actuator Series | Spring-Return Actuator | Double-Acting Actuator |
|-----------------|------------------------|------------------------|
| 131, 151 | MS-1K-SOL-31S | MS-1K-SOL-31D |
| 133, 153 | MS-1K-SOL-33S | MS-1K-SOL-33D |
| 135, 155 | MS-1K-SOL-35S | MS-1K-SOL-35D |

Solenoid mounting kits for spring-return actuators include a brass hex reducing nipple and steel flush plug.

■ MS-SV-64 solenoid requires only a Swagelok hex reducing nipple:

■ **B-4-HRN-2** for 131 / 151 and 133 / 153 series actuators

■ **B-8-HRN-4** for 135 / 155 series actuators.

Double-acting actuator solenoid kits include brass hex reducing nipple, brass Swagelok male elbows, and pre-bent copper tubing.

Limit Switches for Swagelok 130 and 150 Series Pneumatic Actuators— Honeywell® MICRO SWITCH™ Models

Features

- Available for any Swagelok ball valve 130 or 150 series pneumatic actuator assembly.

Technical Data

For additional technical information, see Honeywell MICRO SWITCH product literature.

Temperature Rating

-13 to 185°F (-25 to 85°C)

Electrical Data

- Meets specifications for NEC Class I (NEMA 7), Division I, Groups C and D; and NEC Class II (NEMA 9), Division I, Groups E, F, and G.
- L1 model—two switches: SPDT (single-pole, double-throw) circuit
- L2 model—two switches: DPDT (double-pole, double-throw) circuit
- UL listed and CSA certified.

Electrical Ratings

UL / CSA rating: L23

20 A; 120, 240, or 480 V (ac), inductive and resistive

1 hp, 120 V (ac); 2 hp, 240 V (ac)

0.5 A, 125 V (dc); 0.25 A, 250 V (dc) resistive

Materials of Construction

| Component | Material |
|------------------|-----------------------|
| Housing | Epoxy-coated aluminum |
| Coupling | Anodized aluminum |
| Actuator bracket | Stainless steel |
| O-rings | Buna N |

Ordering Information

Factory-Assembled Valves with Limit Switches

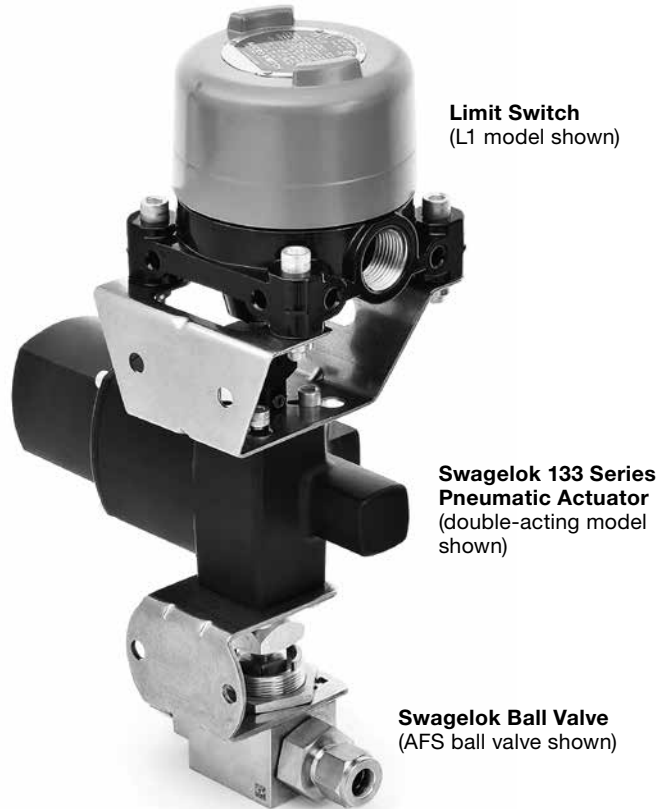
To order a Swagelok 130 or 150 series actuator and valve factory-assembled with a limit switch, add a limit switch designator from the table at right to the ordering number.

Examples: SS-45F8-33C-**L1** for a 45 series valve with normally closed pneumatic actuator and limit switch with two SPDT switches

SS-63TS8-33D-**L2** for a 63 series valve with double-acting pneumatic actuator and limit switch with two DPDT switches

Limit Switch Kits for Field Assembly

Select a kit ordering number from the table at right. Limit switch kits contain limit switch, actuator bracket, coupling, mounting plate, and instructions.



Dimensions

See page 9.

| Limit Switch Model | Actuator Model | Limit Switch Designator | Kit Ordering Number |
|------------------------|----------------|-------------------------|---------------------|
| L1 (Honeywell SPDT) | 131, 151 | L1 | MS-LSK-A1-131 |
| | 133, 153 | | MS-LSK-A1-133 |
| | 135, 155 | | MS-LSK-A1-135 |
| L2 (Honeywell DPDT) | 131, 151 | L2 | MS-LSK-A2-131 |
| | 133, 153 | | MS-LSK-A2-133 |
| | 135, 155 | | MS-LSK-A2-135 |

Limit Switches for Swagelok 130 and 150 Series Pneumatic Actuators—Westlock® Models

Features

- Available for any Swagelok ball valve 130 or 150 series pneumatic actuator assembly.

Technical Data

For additional technical information, see Westlock AccuTrak™ product literature.

Temperature Rating

-40 to 185°F (-40 to 85°C)

Electrical Data

L4 and L3B / L3BX Models

- NEMA 4, 4X: General purpose and watertight
- One 1/2 in. female NPT conduit
- Two SPDT switches

L5 and L5B / L5BX Models

- NEMA 4, 4X, 7, 9—UL, CSA: Combination explosion-proof and watertight, Class I, Groups C, D; Class II, Groups E, F, G; Div 1, 2
- Two 3/4 in. female NPT conduits
- Two SPDT switches

Materials of Construction

| Component | Material |
|---------------------------|--|
| Housing | Polyester-coated die-cast aluminum (L5, L5B / L5BX models); glass-filled nylon resin (L4, L3B / L3BX models) |
| Shaft, fasteners | Stainless steel |
| Beacon monitor (optional) | Copolyester |

Ordering Information

Factory-Assembled Valves with Limit Switches

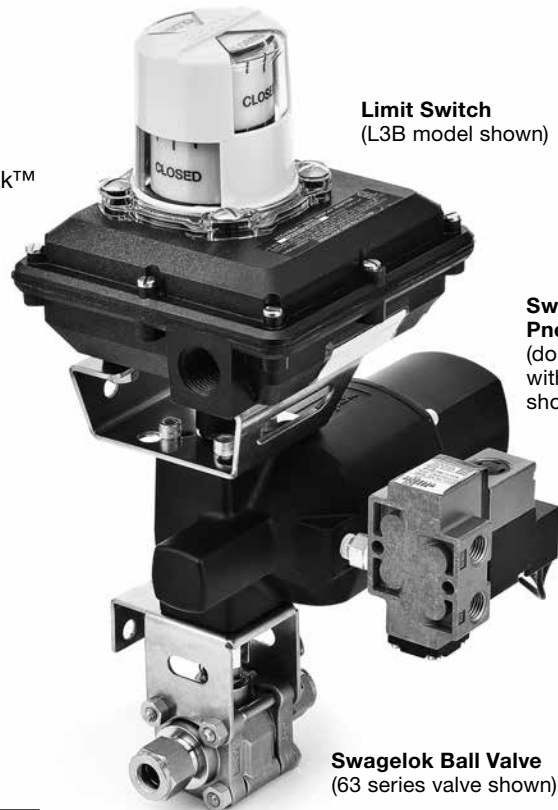
To order a Swagelok 130 or 150 series actuator and valve factory-assembled with a limit switch, add a limit switch designator from the table at right to the ordering number.

Examples: SS-63TS8-33D-**L4** for a 63 series valve with 133 series double-acting actuator and AccuTrak 1040 limit switch

SS-43GXS4-51S-**L3BX** for a 3-way 43G series valves with 151 series spring-return actuator, AccuTrak 1040 limit switch, and Beacon monitor

Limit Switch Kits for Field Assembly

Select a kit ordering number from the table at right. Kits contain limit switch, mounting bracket, fasteners, and manufacturer instructions.



Limit Switch (L3B model shown)

Swagelok 133 Series Pneumatic Actuator (double-acting model with solenoid valve shown)

Swagelok Ball Valve (63 series valve shown)

Dimensions

See next page.

| Limit Switch Model | Limit Switch Designators | | Kit Ordering Numbers | |
|--|--------------------------|------------|----------------------|-------------|
| | 130 Series | 150 Series | 130 Series | 150 Series |
| L4 (Westlock AccuTrak 1040) | -L4 | | MS-LSK-L4 | |
| L3B / L3BX L4 with Beacon monitor ^① | -L3B | -L3BX | MS-LSK-L3B | MS-LSK-L3BX |
| L5 (Westlock AccuTrak 2007) | -L5 | | MS-LSK-L5 | |
| L5B / L5BX L5 with Beacon monitor ^① | -L5B | -L5BX | MS-LSK-L5B | MS-LSK-L5BX |

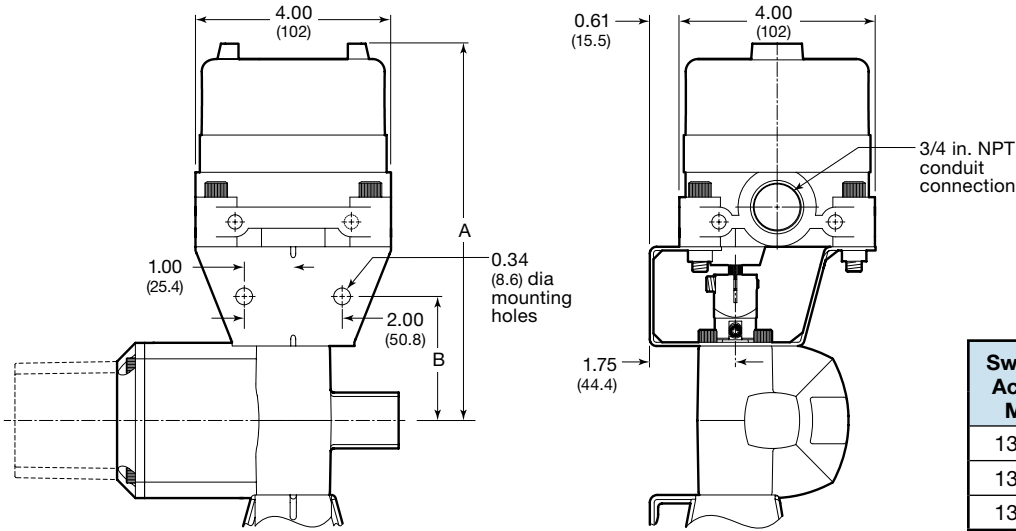
^① Contact your authorized Swagelok representative to order a limit switch kit with a Beacon monitor for a 3-way valve with special flow path or for any 4-way or 5-way multipoint valve.

Limit Switches for Swagelok 130 and 150 Series Pneumatic Actuators

Dimensions

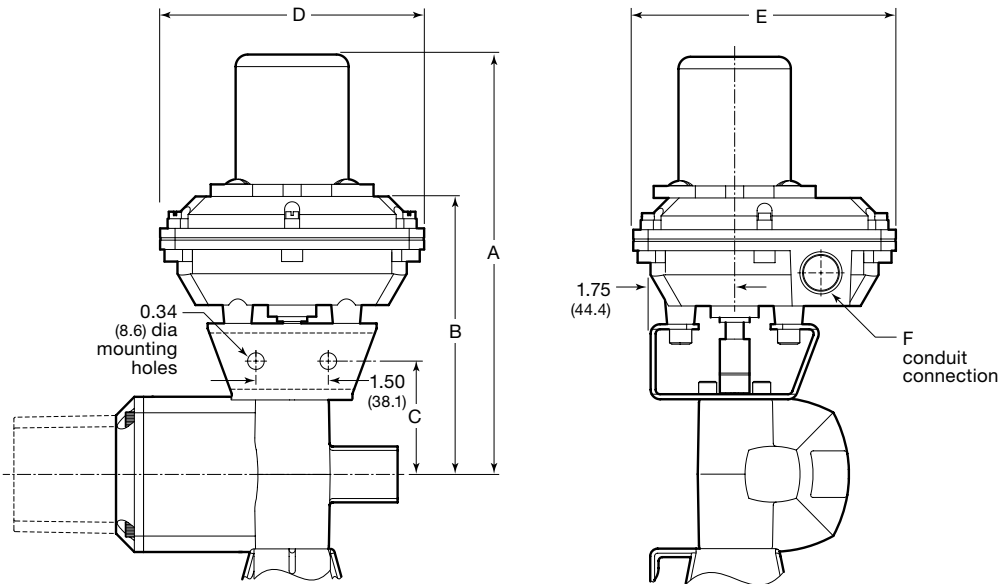
Dimensions, in inches (millimeters), are for reference only and are subject to change.

Honeywell Limit Switches



| Swagelok Actuator Model | Dimensions, in. (mm) | |
|-------------------------|----------------------|-------------|
| | A | B |
| 131, 151 | 7.22 (183) | 2.13 (54.1) |
| 133, 153 | 7.65 (195) | 2.56 (65.0) |
| 135, 155 | 8.40 (214) | 3.31 (84.1) |

Westlock Limit Switches

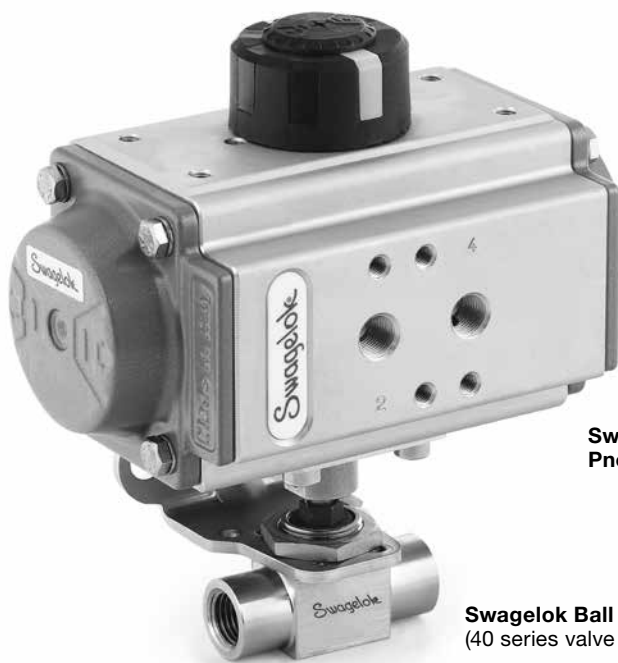


| Limit Switch Model | Dimensions, in. (mm) | | | | | | | | | | | |
|--------------------|----------------------|------------|-------------|--------------------|------------|-------------|--------------------|------------|-------------|------------|------------|-------------|
| | 131, 151 Actuators | | | 133, 153 Actuators | | | 135, 155 Actuators | | | D | E | F |
| | A | B | C | A | B | C | A | B | C | | | |
| L4 | — | 5.32 (135) | 1.91 (48.5) | — | 5.76 (126) | 2.34 (59.4) | — | 6.51 (165) | 3.09 (78.5) | 5.47 (139) | 5.47 (139) | 1/2 in. NPT |
| L3B, L3BX | 8.26 (210) | — | 1.91 (48.5) | 8.70 (221) | — | 2.34 (59.4) | 9.45 (240) | — | 3.09 (78.5) | 5.47 (139) | 5.47 (139) | 1/2 in. NPT |
| L5 | — | 6.00 (152) | 1.91 (48.5) | — | 6.44 (164) | 2.34 (59.4) | — | 7.19 (183) | 3.09 (78.5) | 6.13 (156) | 6.42 (163) | 3/4 in. NPT |
| L5B, L5BX | 8.94 (227) | — | 1.91 (48.5) | 9.38 (238) | — | 2.34 (59.4) | 10.1 (257) | — | 3.09 (78.5) | 6.13 (156) | 6.42 (163) | 3/4 in. NPT |

Swagelok ISO 5211-Compliant Pneumatic Actuators

Features

- 90° actuation
 - 2-way (straight and angle) flow paths
 - 3-way (L and H special flow paths)
 - 4-way flow paths
- 180° actuation for other 3-way flow paths
- Spring-return and double-acting models available
- High-temperature service actuators available



**Swagelok A15
Pneumatic Actuator**

**Swagelok Ball Valve
(40 series valve shown)**

Service Ratings

Maximum actuator pressure is 116 psig (8.0 bar).

| Actuator Service | Temperature Range °F (°C) |
|------------------|------------------------------|
| Standard | -40 to 176 (-40 to 80) |
| High temperature | 5 to 302 (-15 to 150) |

Certifications

Factory-assembled Swagelok valve-actuator assemblies can be ATEX certified on request at the time of quotation.

ATEX certification is not available for field assemblies.

Materials of Construction

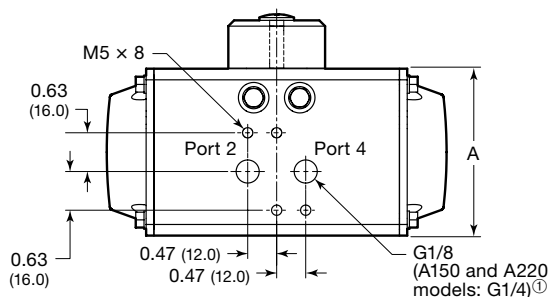
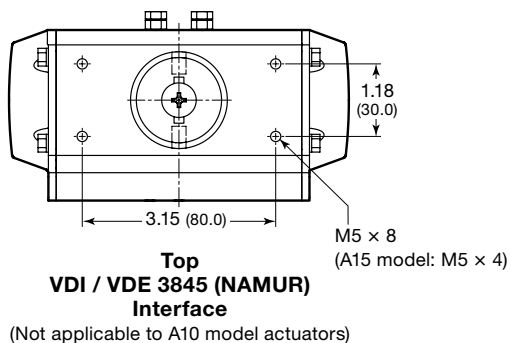
| Component | Actuator Service | |
|--------------------|--------------------------------|------------------------|
| | Standard | High Temperature |
| | Material | |
| Housing | Aluminum | |
| End cap | Cast aluminum | |
| Plug | Buna N | |
| O-rings | Buna N | Fluorocarbon FKM (FPM) |
| Drive shaft | Alloy C-22 | |
| Spring cartridge | SiCr spring alloy steel | |
| Cap screws | 304 SS | |
| Position indicator | Glass-reinforced polypropylene | |

Additional materials may be available. Contact your authorized Swagelok representative.

Swagelok ISO 5211-Compliant Pneumatic Actuators

Dimensions

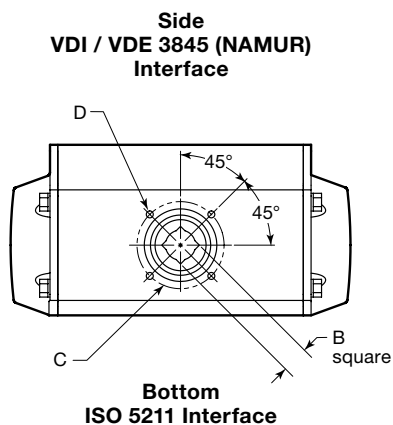
Dimensions, in inches (millimeters) and pounds (kilograms), are for reference only and are subject to change.



① To connect remote-mounted solenoids to 1/4 in. Swagelok tube fittings, order Swagelok male ISO / BSP parallel thread (RS) connectors and gaskets:

For G1/8 port: **SS-400-1-2RS** connector and **SS-2-RS-2V** gasket

For G1/4 port: **SS-400-1-4RS** connector and **SS-4-RS-2V** gasket



90° Actuation

| Actuator Kit | Weight lb (kg) |
|----------------------------|-------------------|
| MS-A10-DA-DIN | 1.7 (0.75) |
| MS-A10-4-DIN | 1.9 (0.88) |
| MS-A10-5-DIN | 1.9 (0.89) |
| MS-A15-DA-DIN | 2.4 (1.1) |
| MS-A15-3-DIN | 2.6 (1.2) |
| MS-A15-4-DIN | 2.6 (1.2) |
| MS-A30-DA-DIN | 3.5 (1.6) |
| MS-A30-3-DIN | 3.8 (1.7) |
| MS-A30-4-DIN | 4.0 (1.8) |
| MS-A60-DA-DIN | 6.0 (2.7) |
| MS-A60-3-DIN | 6.4 (2.9) |
| MS-A60-4-DIN | 6.4 (2.9) |
| MS-A60-5-DIN | 6.6 (3.0) |
| MS-A100-DA-DIN | 8.4 (3.8) |
| MS-A100-4-DIN | 9.3 (4.2) |
| MS-A100-5-DIN | 9.5 (4.3) |
| MS-A150-5-DIN | 13.0 (5.9) |
| MS-A220-4-DIN ^① | 19.8 (9.0) |

① Requires adapter insert **MS-ADH22/17**, available separately, to reduce actuator coupling receptacle to 0.67 in. (17 mm) square.

180° Actuation

| Actuator Kit | Weight lb (kg) |
|-----------------|-------------------|
| MS-A15-XDA-DIN | 4.6 (2.1) |
| MS-A30-XDA-DIN | 7.5 (3.4) |
| MS-A60-XDA-DIN | 13.0 (5.9) |
| MS-A100-XDA-DIN | 18.5 (8.4) |

Ordering Information

Swagelok ISO 5211-compliant pneumatic actuators are available factory assembled to valves or in kits for field assembly. See the Swagelok ball valve catalogs for complete ordering instructions, including suggested actuators and necessary mounting components.

- *One-Piece Instrumentation Ball Valves—40G Series and 40 Series* (MS-02-331)
- *Ball Valves, General Purpose and Special Application—60 Series* (MS-01-146)
- *Trunnion Ball Valves—83 and H83 Series* (MS-01-166)
- *Swagelok Alternative Fuel Service (AFS) Ball Valves For High-Pressure, High-Flow Applications* (MS-02-303)
- *Multipurpose Ball Valves—SK Series* (MS-02-345)

| Actuator Model | ISO 5211 Flange Size | Dimensions, in. (mm) | | | |
|----------------|----------------------|----------------------|-----------|-----------|---------|
| | | A | B | C | D |
| A10 | F04 | 2.60 (66.0) | 0.43 (11) | 1.65 (42) | M5 × 8 |
| A15 | F04 | 2.72 (69.0) | 0.43 (11) | 1.65 (42) | M5 × 8 |
| A30 | F05 | 3.35 (85.0) | 0.55 (14) | 1.97 (50) | M6 × 9 |
| A60 | F05 | 4.02 (102) | 0.55 (14) | 1.97 (50) | M6 × 9 |
| A100 | F07 | 4.53 (115) | 0.67 (17) | 2.76 (70) | M8 × 12 |
| A150 | F07 | 5.00 (127) | 0.67 (17) | 2.76 (70) | M8 × 12 |
| A220 | F07 | 5.71 (145) | 0.86 (22) | 2.76 (70) | M8 × 12 |

Solenoid Valves for Swagelok ISO 5211-Compliant Pneumatic Actuators

Solenoid valves for Swagelok ISO 5211-compliant actuators are manufactured by ASCO.

Features

- Available for A10 through A220 size Swagelok ISO 5211-compliant pneumatic actuators

Technical Data

For additional technical information, see ASCO series 8551 product literature.

Actuation Pressure

30^① to 150 psig (2.1 to 10.3 bar)

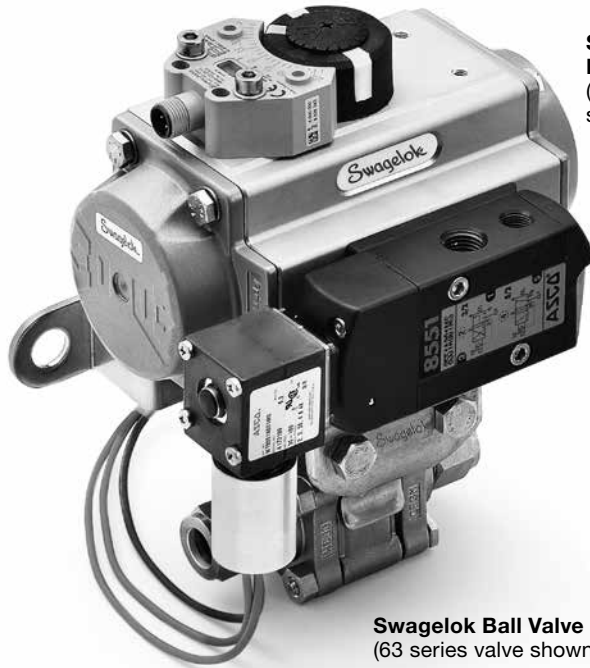
- ① 30 psig (2.1 bar) is the minimum requirement for the solenoid valve. See valve product catalogs for minimum actuator pressure requirements.

Temperature Range

- 120 and 240 V (ac) models: 5 to 140°F (–15 to 60°C)
- 12 and 24 V (dc) models: 5 to 77°F (–15 to 25°C)

Electrical Data

- NEMA 4–CSA: General purpose and watertight, meeting the requirements of Type 1, 2, 3, 3S, 4, and 4X.
- NEMA 7–UL, CSA, CE: Combination explosion proof and watertight, meeting the requirements 3, 3S, 4, 4X, 6, 6P, 7, and 9, Class 1, Div 1 (Groups A–D) and Class 1, Div 2 Type 9 (Groups E–G).



**Swagelok A30
Pneumatic Actuator**
(shown with position
sensor)

Solenoid Valve

Swagelok Ball Valve
(63 series valve shown)

Materials of Construction

| Component | Material |
|---------------|-------------------|
| Solenoid body | Anodized aluminum |
| O-rings | Buna N |

Solenoid Valves for Swagelok ISO 5211-Compliant Pneumatic Actuators

Ordering Information

Factory-Assembled Valves with Solenoids

Spring-Return Actuator Typical Ordering Number

A
B
C
SS-63TS8-A30C4 HT S1

A Valve Ordering Number

Build a Swagelok ball valve–ISO 5211-compliant pneumatic actuator assembly ordering number from the product catalog.

B Actuator Service

None = Standard
HT = High temperature

C Solenoid Voltage

S1 = 120 V (ac) / NEMA 4
S2 = 24 V (dc) / NEMA 4
S3 = 240 V (ac) / NEMA 4
S4 = 12 V (dc) / NEMA 4
S5 = 120 V (ac) / NEMA 4, NEMA 7
S6 = 24 V (dc) / NEMA 4, NEMA 7

Double-Acting Actuator Typical Ordering Number

A
B
C
D
SS-63TS8-A30D C HT S1

A Valve Ordering Number

Build a Swagelok ball valve–ISO 5211-compliant pneumatic actuator assembly ordering number from the product catalog.

C Actuator Service

None = Standard
HT = High temperature

D Solenoid Voltage

S1 = 120 V (ac) / NEMA 4
S2 = 24 V (dc) / NEMA 4
S3 = 240 V (ac) / NEMA 4
S4 = 12 V (dc) / NEMA 4
S5 = 120 V (ac) / NEMA 4, NEMA 7
S6 = 24 V (dc) / NEMA 4, NEMA 7

B Solenoid Operation

C = Energized to open
O = Energized to close

Solenoid Kits for Field Assembly

Kits contain fasteners, adapter plates to assemble for either spring-return or double-acting actuation, and manufacturer instructions.

| Solenoid Voltage | Kit Ordering Number |
|--------------------------------|---------------------|
| 12 V (dc) / NEMA 4 | MS-SV-S4 |
| 24 V (dc) / NEMA 4 | MS-SV-S2 |
| 120 V (ac) / NEMA 4 | MS-SV-S1 |
| 240 V (ac) / NEMA 4 | MS-SV-S3 |
| 24 V (dc) / NEMA 4, NEMA 7 | MS-SV-S6 |
| 120 V (ac) / NEMA 4, NEMA 7 | MS-SV-S5 |

Limit Switches for Swagelok ISO 5211-Compliant Pneumatic Actuators

Limit switches for Swagelok ISO 5211-compliant pneumatic actuators are manufactured by Westlock.

Features

- Available for A15 through A220 size Swagelok ISO 5211-compliant pneumatic actuators

Technical Data

For additional technical information, see Westlock AccuTrak product literature.

Temperature Rating

–40 to 185°F (–40 to 85°C)

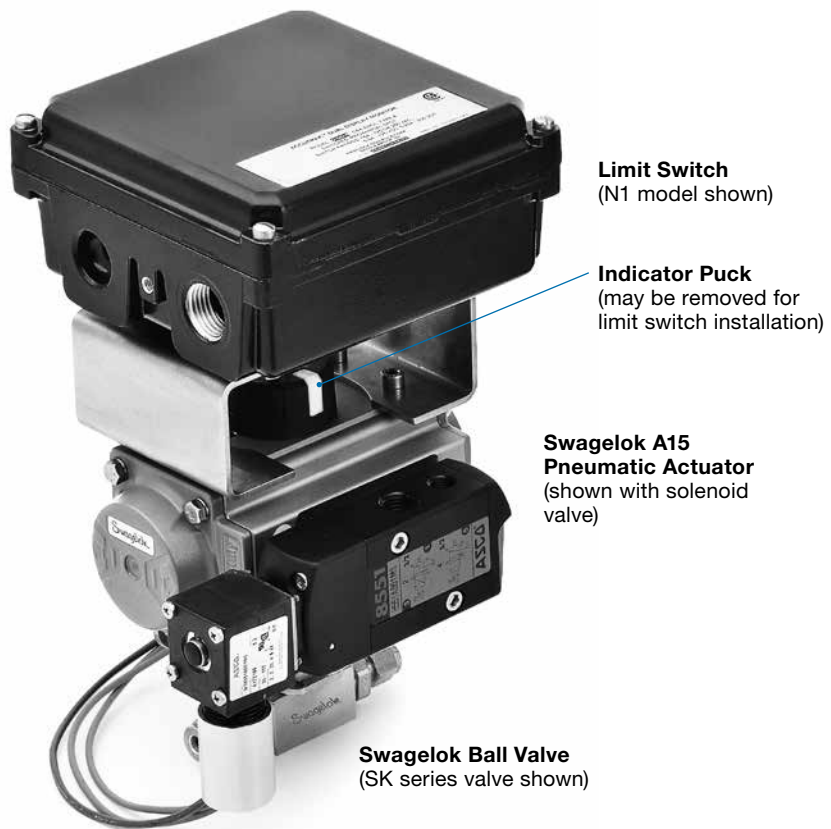
Electrical Data

N1 and N1B Models

- NEMA 4, 4X: General purpose and watertight
- One 1/2 in. female NPT conduit
- Two SPDT switches

N2 and N2B Models

- NEMA 4, 4X, 7, 9—UL, CSA: Combination explosion-proof and watertight, Class I, Groups C, D; Class II, Groups E, F, G; Div 1, 2
- Two 3/4 in. female NPT conduits
- Two SPDT switches



Materials of Construction

| Component | Material |
|---------------------------|---|
| Housing | Polyester-coated die-cast aluminum (N1, N2, N2B models); glass-filled nylon resin (N1B model) |
| Shaft, fasteners | Stainless steel |
| Beacon monitor (optional) | Copolyester |

Ordering Information

Factory-Assembled Valves with Limit Switches

To order a Swagelok ISO 5211-compliant actuator and valve factory-assembled with a limit switch, add **-N1** or **-N2** to the ordering number.

Example: SS-63TS8-A30C4-**N1**

To order a limit switch with Beacon monitor, add **B** for a 2-way valve.

Example: SS-63TS8-A30C4-**N1B**

Contact your authorized Swagelok representative to order a limit switch with a Beacon monitor for a 3-way valve.

Limit Switch Kits for Field Assembly

Kits contain limit switch, mounting bracket, fasteners, and manufacturer instructions.

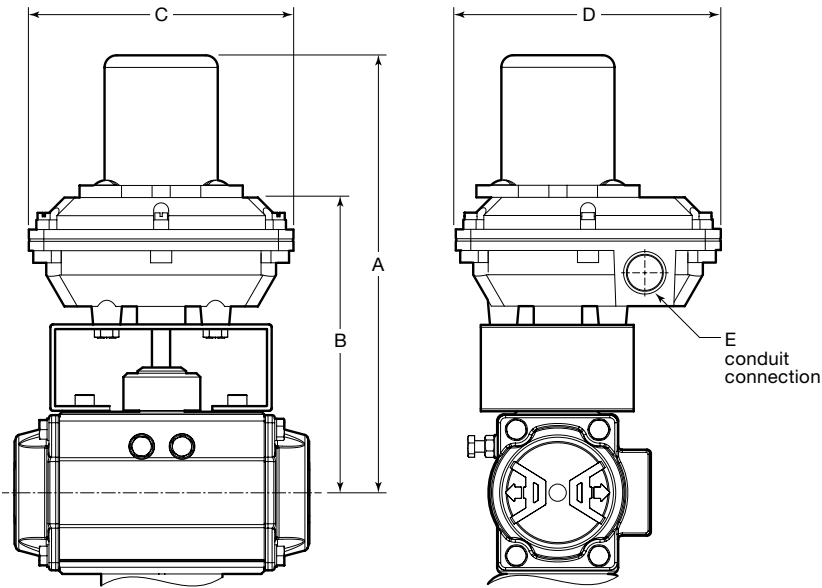
| Limit Switch Model | Kit Ordering Numbers | | |
|--|----------------------|-----------------------|-----------------|
| | A15 Actuator | A30 to A150 Actuators | A220 Actuator |
| N1 (Westlock AccuTrak 2004) | MS-LSK-N1-A15 | MS-LSK-N1 | MS-LSK-N1-A220 |
| N1B Westlock AccuTrak 1040 with Beacon monitor ^① | MS-LSK-N1B-A15 | MS-LSK-N1B | MS-LSK-N1B-A220 |
| N2 (Westlock AccuTrak 2007) | MS-LSK-N2-A15 | MS-LSK-N2 | MS-LSK-N2-A220 |
| N2B N2 limit switch with Beacon monitor ^① | MS-LSK-N2B-A15 | MS-LSK-N2B | MS-LSK-N2B-A220 |

^① Contact your authorized Swagelok representative to order a limit switch kit with a Beacon monitor for a 3-way valve.

Limit Switches for Swagelok ISO 5211-Compliant Pneumatic Actuators

Dimensions

Dimensions, in inches (millimeters), are for reference only and are subject to change.



| Limit Switch Model | Dimensions, in. (mm) | | | | | | | | | | | | | | |
|--------------------|----------------------|---------------|---------------|---------------|---------------|---------------|---------------|---------------|---------------|---------------|---------------|---------------|---------------|---------------|----------------|
| | A15 Actuator | | A30 Actuator | | A60 Actuator | | A100 Actuator | | A150 Actuator | | A220 Actuator | | C | D | E |
| | A | B | A | B | A | B | A | B | A | B | A | B | | | |
| N1 | — | 5.77 (147) | — | 6.09 (155) | — | 6.42 (163) | — | 6.68 (170) | — | 6.91 (176) | — | 7.65 (194) | 5.47 (139) | 5.47 (139) | 1/2 in. NPT |
| N1B | 8.71 (221) | — | 9.03 (229) | — | 9.36 (238) | — | 9.62 (244) | — | 9.85 (250) | — | 10.6 (269) | — | 5.47 (139) | 5.47 (139) | 1/2 in. NPT |
| N2 | — | 6.15 (164) | — | 6.77 (172) | — | 7.10 (254) | — | 7.36 (187) | — | 7.59 (193) | — | 8.33 (212) | 6.13 (156) | 6.42 (163) | 3/4 in. NPT |
| N2B | 9.39 (239) | — | 9.71 (247) | — | 10.0 (254) | — | 10.3 (262) | — | 10.5 (267) | — | 11.3 (287) | — | 6.13 (156) | 6.42 (163) | 3/4 in. NPT |

Position Sensors for Swagelok ISO 5211-Compliant Pneumatic Actuators

Position sensors for Swagelok ISO 5211-compliant pneumatic actuators are manufactured by Pepperl & Fuchs.

Features

- Available for A15 through A220 size Swagelok ISO 5211-compliant pneumatic actuators

Technical Data

For additional technical information, see Pepperl & Fuchs product literature.

Temperature Rating

- N9 model: -14 to 158°F (-25 to 70°C)
- N10 model: -14 to 212°F (-25 to 100°C)

Ordering Information

Factory-Assembled Valves with Position Sensors

To order an ISO-5211 compliant actuator and valve factory-assembled with a position sensor, add **-N9** or **-N10** to the ordering number.

Example: SS-63TS8-A30C4-**N9**

Electrical Data

- N9 model: general purpose—UL, CSA, CE; nonincendive—FM
- N10 model: intrinsically safe—UL, CSA, CE, FM, Ex

Electrical Connection

- Quick disconnect type V1
- Cord sets offered separately through Pepperl & Fuchs.



Material

- Housing: Crastin® PBS thermoplastic polyester resin

Position Sensor Kits for Field Assembly

Kits contain position sensor, fasteners, metal target, and manufacturer instructions.

| Position Sensor Model | Kit Ordering Numbers ^① | |
|--|-----------------------------------|-----------------|
| | A15 to A150 Actuators | A220 Actuator |
| N9 (Pepperl & Fuchs NBN3-F25-E8-V1) | MS-LSK-N9 | MS-LSK-N9-A220 |
| N10 (Pepperl & Fuchs NCN3-F25-N4-V1) | MS-LSK-N10 | MS-LSK-N10-A220 |

^① For 3-way, 180° actuators, an additional metal target, available separately, is required.

Ordering number: **MS-PI-EISAMET**

Caution: Do not mix or interchange valve components with those of other manufacturers.

About this document

Thank you for downloading this electronic catalog, which is part of General Product catalog Swagelok published in print. This type of electronic catalog is updated as new information arises or revisions, which may be more current than the printed version.

Swagelok Company is a major developer and provider of fluid system solutions, including products, integration solutions and services for industry research, instrumentation, pharmaceutical, oil and gas, power, petrochemical, alternative fuels, and semiconductor. Our manufacturing facilities, research, service and distribution facilities support a global network of more than 200 authorized sales and service centers in 57 countries.

Visit www.swagelok.com to locate your Swagelok representative and obtain any information on features, technical information and product references, or to learn about the variety of services available only through authorized sales centers and service Swagelok.

Safe Product Selection

When selecting a product, the total system design must be considered to ensure safe, trouble-free performance. Function, material compatibility, adequate ratings, proper installation, operation, and maintenance are the responsibilities of the system designer and user.

Warranty Information

Swagelok products are backed by The Swagelok Limited Lifetime Warranty. For a copy, visit your Swagelok Web site or contact your authorized Swagelok representative.

Swagelok, Ferrule-Pak, Goop, Hinging-Colleting, IGC, Kenmac, Micro-Fit, Nupro, Snoop, Sno-Trik, SWAK, VCO, VCR, Ultra-Torr, Whitey—TM Swagelok Company
Aflas—TM Asahi Glass Co. Ltd.
AL-6XN—TM Allegheny Ludlum Corporation
AutoCAD—TM Autodesk, Inc.
CSA—TM Canadian Standards Association
DeviceNet—TM ODVA
Kalrez, Krytox—TM DuPont
Elgiloy—TM Elgiloy Specialty Metals
FM—TM FM Global
Grafoil—TM GrafTech International Holdings, Inc.
MAC—TM MAC Valves Inc.
Microsoft, Windows—TM Microsoft Corp.
NACE—TM NACE International
Nitronic—TM AK Steel Corporation
picofast—TM HansTurck KG
Pillar—TM Nippon Pillar Packing Company, Ltd.
Rapid Tap—TM Relton Corporation
15-7 PH, 17-7 PH—TM AK Steel Corp.
Sandvik—TM SandvikAB
Silconert—TM Silcotek Corporation
Simriz—TM Freudenberg-NOK
SolidWorks—TM SolidWorks Corporation
© 2017 Swagelok Company