

Cim 34PL

RUBISTAR - BALL BIB TAP WITH PADLOCK EYELET



This article was made in compliance with the quality management requirements of standard ISO 9001:2008. All articles are tested according to the standard EN 12266-1:2003. It can be used in water systems, for industrial and agricultural applications and generally with any non corrosive liquid.

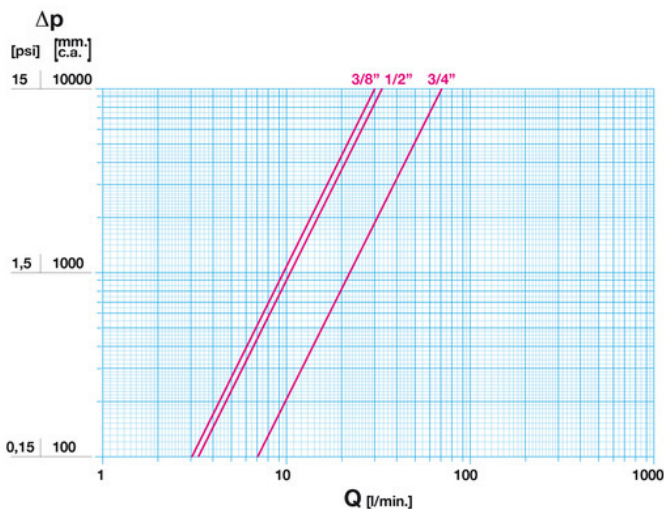
It is guaranteed for 5 years.

It is made of a brass alloy that complies with standard EN 12165-CW617N-M.

Nominal Pressure: PN 16

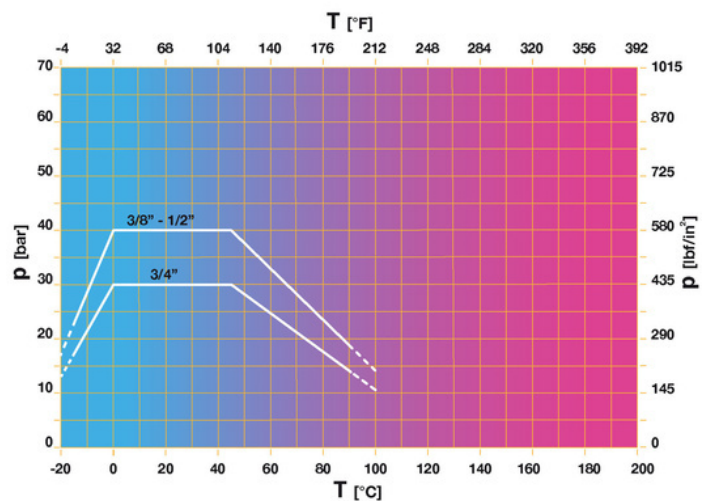
Operating temperature: -15 to 90°C

FLOW AND PRESSURE DROP



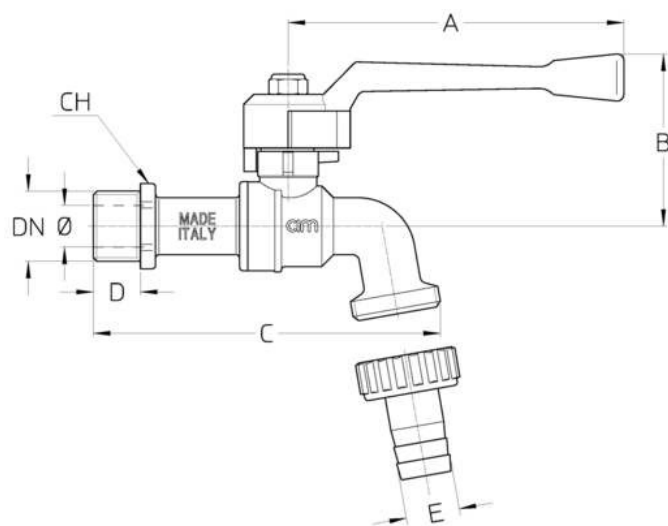
Notes:
 1 l/min = 0,06 m3/h
 1 m3/h = 16,67 l/min
 1 bar = 10.000 mm w.c.
 1 psi = 690 mm w.c.

PRESSURE TEMPERATURE RATINGS



Notes:
 1 bar = 14,5 psi
 1 bar = 14,5 lbf/in2
 $^{\circ}\text{C} = 5/9 \times (^{\circ}\text{F} - 32)$
 $^{\circ}\text{F} = 32 + (9/5 \times ^{\circ}\text{C})$

TECHNICAL DRAWING



DN	3/8"	1/2"	3/4"
Ø mm	10	10	12
Grms.	255	265	355
A	100	100	100
B	52	52	53
C	100	105	115
D	9	14	16
E	16	16	22
CH	21	23	29

Thread:
ISO 228

Upon request:
ANSI B.1.20.1 - NPT

TECHNICAL CHARACTERISTICS

KV CM CS MT			
DN	3/8"	1/2"	3/4"
Ø mm	10	10	12
KV	1,8	2	4,3
CM	1	1	1
CS	2	2	2
MT	10	10	10

KV = Capacity in m³/h at pressure drop of 1 bar.

CM = Operating torque in Nm.

CS = Starting torque in Nm.

MT = Stem breaking torque in Nm.

OUR CERTIFICATIONS

