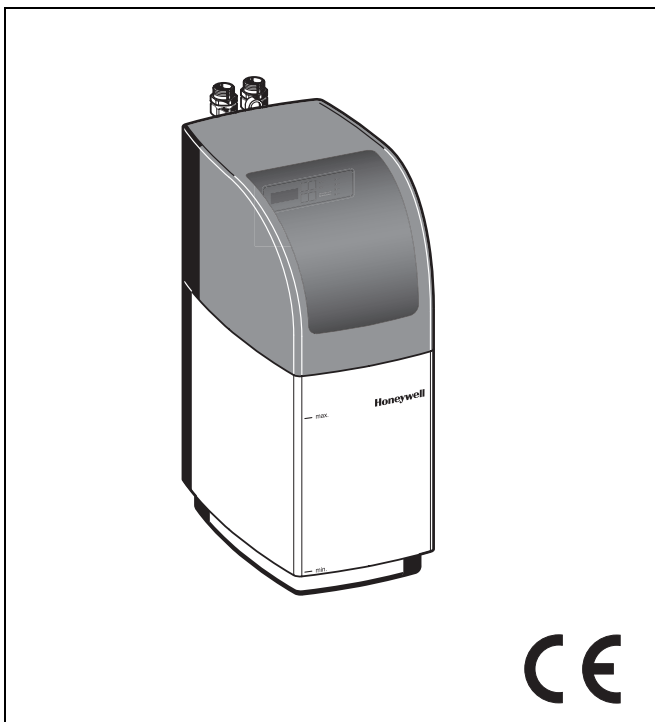


## KaltecCool PW60-A/B

### Wellness Water Treatment

#### Product specification sheet



#### Construction

KaltecCool consists of:

- Cabinet in modern, space-saving design
- Flow controlled electronic regeneration automatics with time priority control, holiday control.
- Status indicator and control panel
- Control valve element
- Flask with monodisperse ion exchanger resin
- External transformer; the device is only fed with a protective low voltage of 24 V
- Two armoured hoses with matching piece to DA74C

#### Materials

- Cabinet made of high-quality plastic material
- All components subject to pressure in glass-fibre-reinforced plastics
- All components to brine in Noryl

#### Application

KaltecCool reliably prevents the formation of furring inside the whole building. In addition the healthy magnesium proportion in the water is increased and thus the wellness feeling of all residence positively influenced. Corrosion problems are also tackled by stable protective layers inside the pipes. The water hardness thereby remains unchanged and the undesired increase in sodium or potassium concentration is a thing of the past. The unit can thus be used without limitation throughout all hardness ranges.

In the freely adjustable sanitization mode old deposits can be removed without any resulting corrosion problems. Even galvanized pipelines do not require a downstream phosphate dosing system.

Regeneration is accomplished in a material saving, volume controlled manner, which significantly contributes to protecting the environment.

#### Special Features

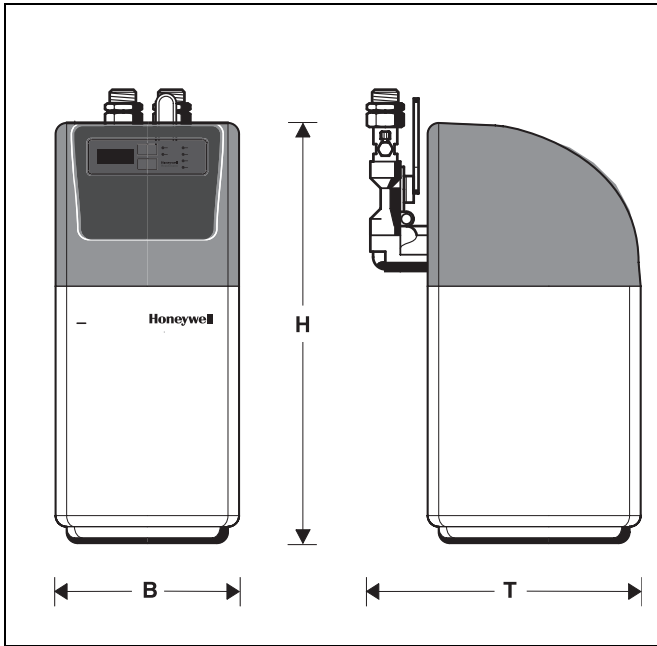
- Superior efficiency against furring
- Simple operation
- Latest generation of water treatment - applicable in the cold water supply to the boiler or for the in-house drinking water supply
- Increase in wellness - by considerably increasing the healthy magnesium content
- No increase in sodium and potassium concentration
- No change in water hardness

#### Range of Application

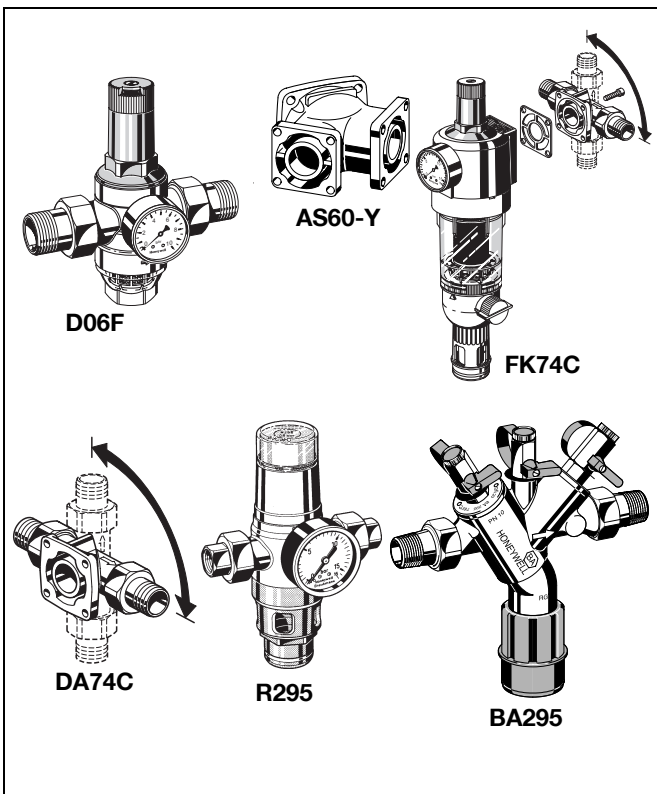
|                     |           |
|---------------------|-----------|
| Water temperature   | 5 - 30 °C |
| Ambient temperature | 2 - 40 °C |
| Operating pressure  | 2 - 6 bar |

#### Technical Data

|                                   |                                       |
|-----------------------------------|---------------------------------------|
| Nominal pressure                  | PN 10                                 |
| Flow rate at $\Delta p = 0,8$ bar | 2,8 m <sup>3</sup> /h (wellness mode) |
| Supply voltage (ext. transformer) | 230 V / 50 Hz                         |
| Protective extra low voltage      | 24 V                                  |
| Power consumption                 | 2 W (during conditioning)             |
| Safety class                      | IP 22                                 |
| Connection size                   | 1" AG                                 |
| Drain connection                  | 1/2" hose nozzle                      |



| Variant                                 | PW60-A                            | PW60-B                            |
|---|-----------------------------------|-----------------------------------|
| Connection thread                       | 1" AG                             | 1" AG                             |
| Weight (kg)                             | empty in<br>operation             |                                   |
|   | approx 12                         | approx 18                         |
|   | approx 45                         | approx 50                         |
| Dimensions (mm)                         |                                   |                                   |
|   | H 660                             | 660                               |
|   | B 310                             | 310                               |
|   | T 425                             | 425                               |
| Volume of ion exchanger                 | 4 l                               | 10 l                              |
| Provision of operating material         | approx 25 kg                      | approx 25 kg                      |
| Exchange capacity between regenerations | 2 mol<br>(11 m <sup>3</sup> • dH) | 4 mol<br>(22 m <sup>3</sup> • dH) |
| Work capacity                           | 4 mol<br>(22 m <sup>3</sup> • dH) | 8 mol<br>(44 m <sup>3</sup> • dH) |
| Regeneration period                     | 45 min                            | 75 min                            |
| Water consumption                       | approx 26 l                       | approx 44 l                       |



### Method of Operation

KaltecCool offers a brand new water treatment concept against lime scale and corrosion.

Unlike conventional water treatment systems, the hardness constituents in the water are not removed - but KaltecCool replace the sodium, which is problematic with respect to deposits, by entirely unproblematic magnesium - the water hardness thus remains unchanged. As many people consume less magnesium than is recommended, a slight increase in the magnesium content of the water is a desirable side effect.

KaltecCool can be simply adjusted to any desired operating mode, from wellness to sanitization mode, without any measurements and readjustments.

KaltecCool is based on a further development of the well approved ion exchange method. KaltecCool offers most modern equipment for safe, hygienic and problem free function at any time and in any operating mode.

### Options

PW60-A = Use in detached houses

PW60-B = Use in two to three family houses

### Accessories

#### D06F Pressure reducing valve

Noise protected pressure reducing valve with setting scale. Maximum inlet pressure 16 bar, with brass filter bowl 25 bar, outlet pressure range 1.5 - 6.0 bar  
 A = With clear filter bowl up to 40 °C / 16 bar  
 B = With brass filter bowl up to 70 °C / 25 bar

#### DA74C Rotatable piece

Available in 3/4", 1" and 1 1/4"

#### AS60-Y Y-adapter

Y-adapter for attachment to an already existing DA74C connection piece of a Honeywell filter; installation without having to open the pipe

#### FK74C Filter combination

Combination of backwashable fine filter and pressure reducer with unloaded single seat valve

#### R295 Mechanical disconnecter

To protect drinking water systems against back pressure, backflow and withdrawal. Protection against fluids up to and including fluid category 3 acc. to DIN EN 1717.

#### BA295 Backflow Preventer

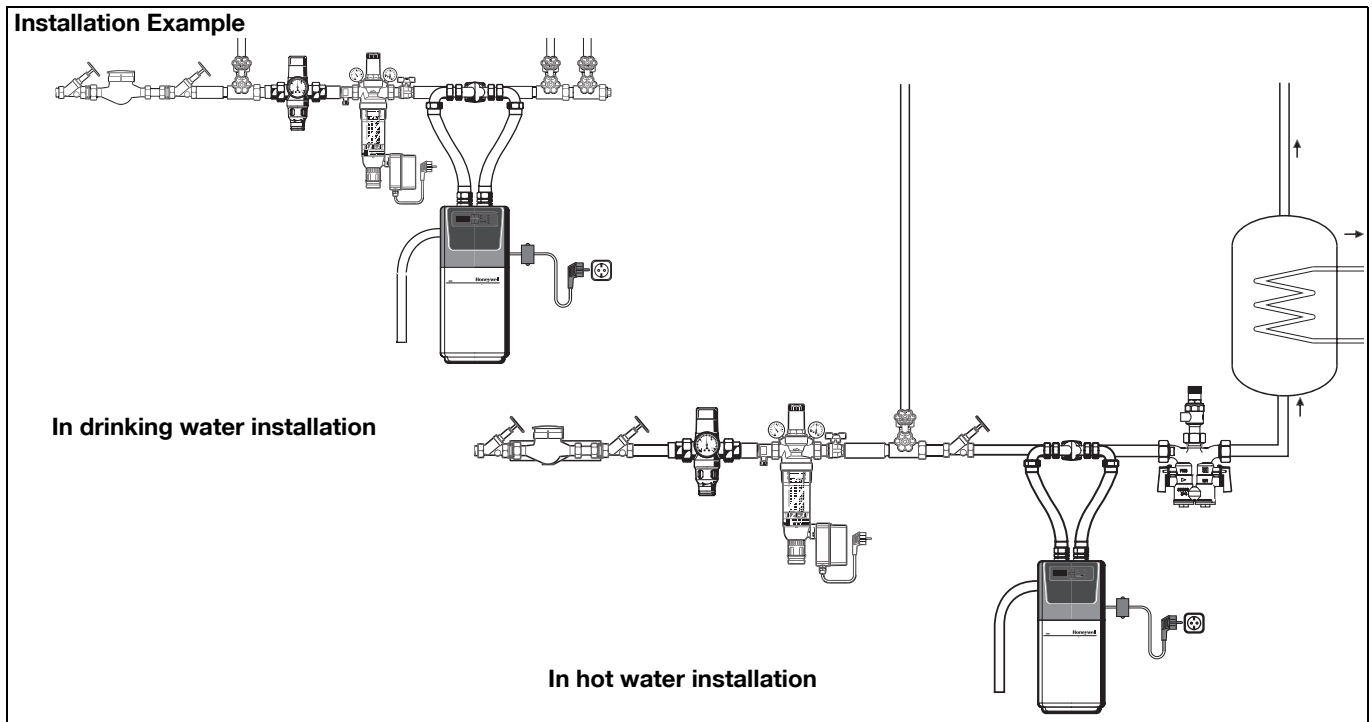
To protect drinking water systems against back pressure, backflow and withdrawal. Protection against fluids up to and including fluid category 4 acc. to DIN EN 1717.

#### VC51-A Refill package (not shown)

Magnesium containing consumable for KaltecCool PW60A/B (2 bags of 25 kg each)

#### WS60-A Service Set

With replacement parts for annual maintenance



### Installation Guidelines

- In order to protect the device against foreign particles, it must only be installed with an upstream fine filter (recommended by Honeywell FK74C)
- In case of high inlet pressure (> 6 bar) a pressure reducer must be installed in upstream
- A drain connection within five meters distance or two meters height must be available. The drain hose must not be kinked in any way as this will lead to an overflow of the device.
- When using DA74C, connection in horizontal or vertical pipelines is possible
- All works should only be carried out by a qualified person, in compliance with local water regulations
- The installation location should be protected against frost and extreme heat
- The device is fitted with a check valve and therefore must not be fitted between a water heater and the pressure relief safety valve
- After the installation one must set time and water hardness on the device and trigger a manual regeneration process
- The device must be secured according to the corresponding national implementation of the standard EN 1717. For installation in Germany the device must be secured with a pipe separator (type Honeywell R295) or a system separator (type Honeywell BA295) according to DIN EN 1717 or DIN 1988/T4. With low inlet pressure (< 3 bar) the use of the pipe separator is recommended.

### Typical Applications

KaltecCool is used to increase wellness and to tackle furring and corrosion problems.

KaltecCool can be installed:

- In detached houses and blocks with up to three flats
- After water meter and filter, or in the feed for a central water boiler
- For the sanitization of pipelines in old buildings

**Automation and Control Solutions**

Honeywell GmbH  
Hardhofweg  
D-74821 Mosbach  
Phone: (49) 6261 810  
Fax: (49) 6261 81309  
<http://europe.hbc.honeywell.com>  
[www.honeywell.com](http://www.honeywell.com)

Manufactured for and on behalf of the  
Environmental and Combustion Controls Division  
of Honeywell Technologies Sàrl, Ecublens, Route  
du Bois 37, Switzerland by its Authorised Repre-  
sentative Honeywell GmbH

EN0H-1413GE25 R1106  
Subject to change without notice  
© 2006 Honeywell GmbH

**Honeywell**