



(index.php)

## FLOW CONTROL SYSTEMS



(index.php?lang=eng)



(index.php?lang=tr)

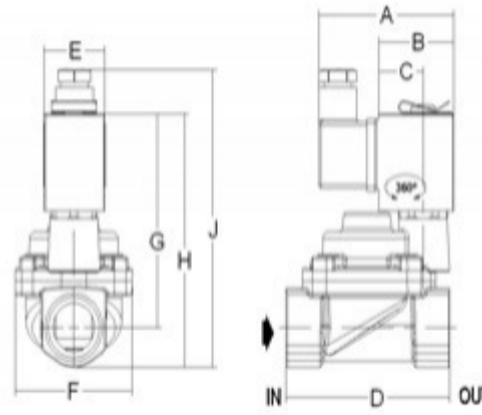
0090 224 411 16 17

[HOME \(index.php\)](#) [ABOUT \(hakkimizda.php\)](#) [PRODUCTS \(teknik.php\)](#) [CATALOGUE \(katalog.php\)](#)[QUALITY \(kalite.php\)](#) [NEWS \(haber.php\)](#) [CONTACT \(talep.php\)](#) [SITE MAPS](#)

## REFERANCE 1901-KBPD100-120-220AC



A	B	C	D	E	F	G	H	J	K	L	M
74	46	25	68	35	47	84	97	116			



<b>REFERANCE:</b>	1901-KBPD100-120-220AC
<b>MAIN SERIES:</b>	General Purpose - High Pressure
<b>FUNCTION:</b>	2/2 Ways
<b>POSITION:</b>	Normally Closed
<b>OPERATION TYPE:</b>	Pilot Operating
<b>SEAT SEAL MATERIAL:</b>	PTFE Diaphragm /PTFE Seal
<b>PORT SIZE:</b>	1/2"
<b>ORIFICE:</b>	12mm
<b>Kv:</b>	65.00 l/min
<b>Pmin-Pmax (bar):</b>	0,5-100 bar
<b>Tmin / Tmax (°C):</b>	-10 °C / 160 °C
<b>WEIGHT:</b>	0.650 Kg
<b>COIL VOLTAGE - TOLERANCE:</b>	

[« Back \(urun\\_ara.php\)](#)