

## 2-Valve Remote-Mount Manifold

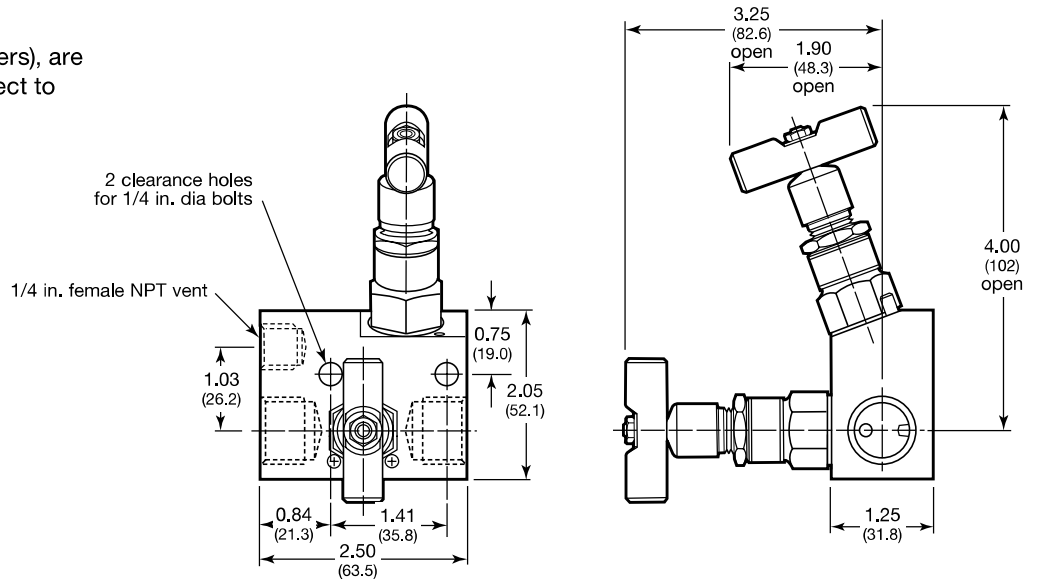
### Features

- Angled vent valve for panel mounting
- Color-coded valve label rings for easy valve identification
- Available graphite packing and seals for high-temperature service



### Dimensions

Dimensions, in inches (millimeters), are for reference only and are subject to change.



### Ordering Information

Build a remote-mount manifold ordering number by combining the designators in the sequence shown below.

A      B C  
**M S B G 4N A T**

#### A Material

- S = Stainless steel
- C = Carbon steel

#### B End Connections

- 2N = 1/4 in. female NPT
- 4N = 1/2 in. female NPT

#### C Packing, Bonnet Seal Material

- A = PTFE
- C = Graphite
- L = Carbon/glass-filled PTFE (Low Emissions option)

### Testing

Every direct- and remote-mount manifold is factory tested hydrostatically. A shell test is performed at 1.5 times maximum rated working pressure, and a seat test is performed at 1.1 times maximum rated working pressure, in accordance with BS EN 12266-1 (formerly BS 6755 part 1).