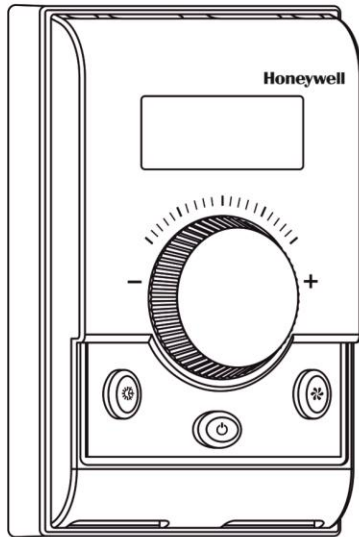


DIGITAL SERIES

Honeywell Control Systems Limited - 2023

FAN-COIL THERMOSTAT



Technical Specifications

Supply voltage: 220 VAC and 50~60 Hz.

Setting point range: 15~35 degrees Celsius using the volume key on the product.

Measurement accuracy: 1 °C

Display accuracy: 1 °C

Control sensitivity: 1°C

output load

Voltage: 220 VAC

Maximum current: F1~F3 10 A

Maximum current F4: 10 A

T6373 is designed for temperature control.


The thermostat operates an on/off switch to control the desired set point temperature. The fan can also be controlled from the thermostat. In some cases it is wired to run continuously and is turned off with the system on/off switch Heat/Cool switch operation is also possible in some versions

This function can be changed manually with a heat/cool switch on the front of the thermostat.

FEATURES

- The modern and attractive design of this thermostat is ideal for being placed in public spaces, especially in offices or hotels.
- This product improves temperature control in heating and cooling operations.
- The thermostat is mounted directly on the wall.
- Push switches allow manual control of system performance and Fan speed.

Function :

Turn on/off the thermostat by holding the key  following Features are possible

It is used:

Use the  key to select the desired cooling/heating function.

Holding key  with key  together activates the child lock.

Manual fan speed adjustment mode:

By pressing the fan key, the fan speed is set in slow/medium/fast/auto speed and so on.

The thermostat turns the fan on/off at the set speed according to the ambient temperature.

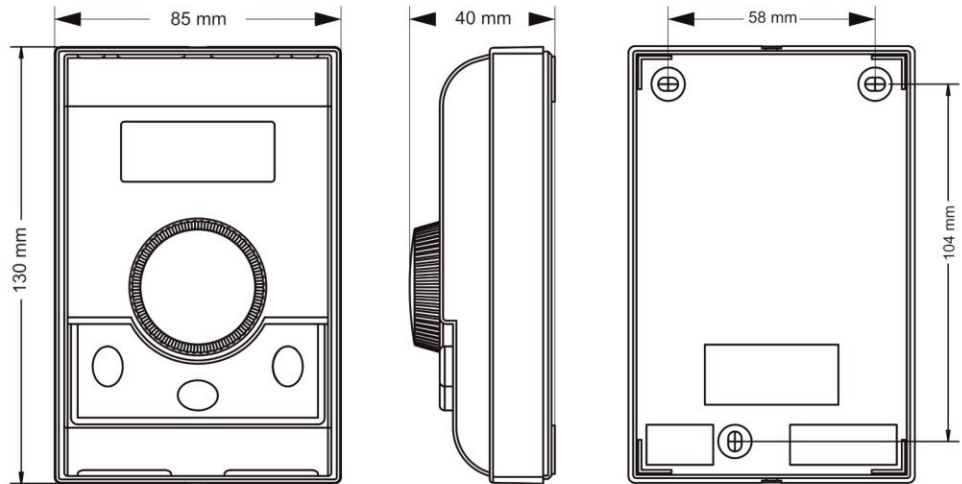
Automatic mode:

By setting the fan speed to auto, the AUTO mark on the screen will be on and with the volume key, the desired temperature is set.

According to the ambient temperature, the thermostat sets the fan speed to one of slow/medium/fast speeds, and when the desired temperature is reached, the fan turns off.

Compressor output

It works simultaneously with the fan in cooling. Also the output F4 works only in cooling mode (compressor command).



installation location

The thermostat is the temperature control element in the fan coil or air conditioning system and should be placed on the inner wall about 1.5 meters above the floor in a situation with good air circulation to sense the average temperature. Do not place the thermostat in the air flow, near sources of cold or hot air, or avoid installing it where it will be affected by the radiant heat of the sun or other devices.

Standard wiring access is through two holes in the base of the thermostat, near the bottom and top edges

Important:

1. The installer must be a trained technician
2. Disconnect the power supply before starting the installation

