



(<https://www.omchsmpls.com/wp-content/uploads/2022/06/AE3JK-R4P1.jpg>)

AE3JK- R4P1

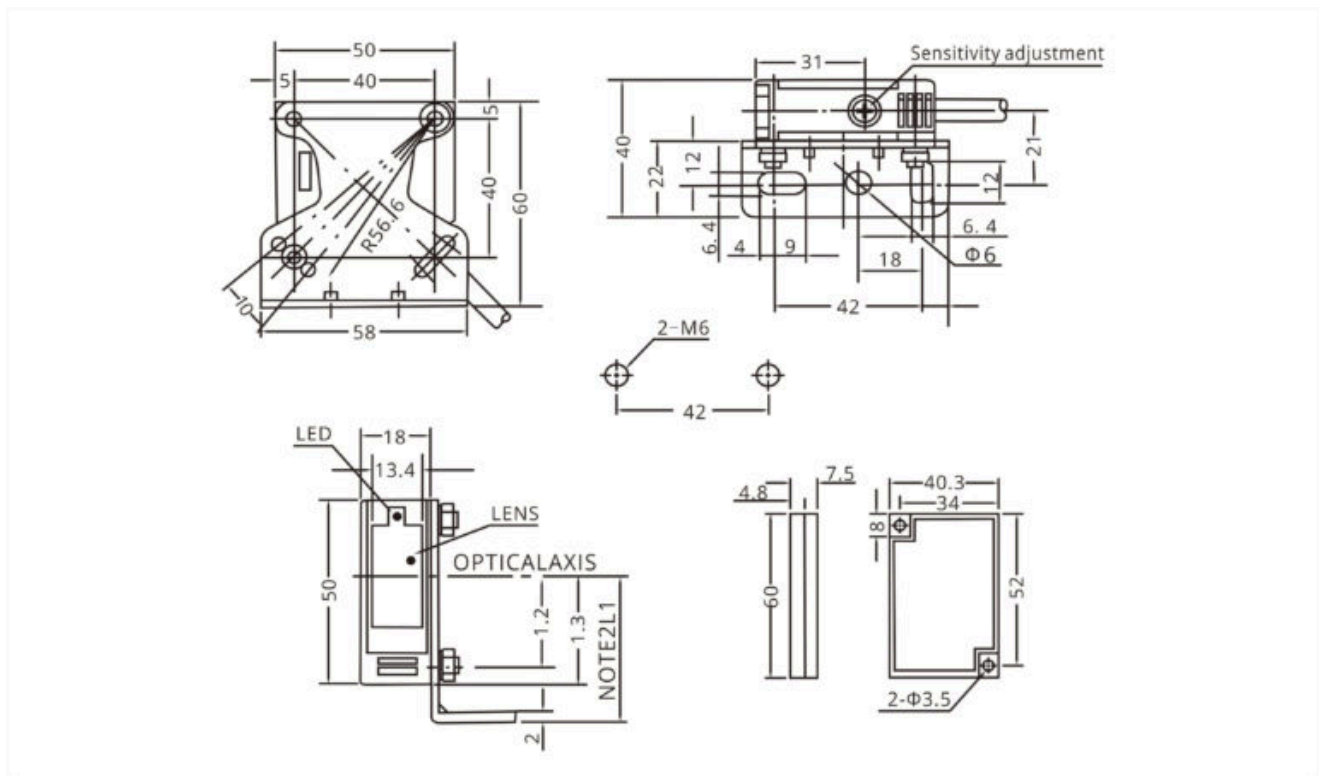
首页 (<https://www.omchsmpls.com>) / Retro Reflective Photoelectric Sensor
(<https://www.omchsmpls.com/product-category/retro-reflective-photoelectric-sensor/>) / AE3JK-
R4P1

类别 Retro Reflective Photoelectric Sensor (<https://www.omchsmps.com/product-category/retro-reflective-photoelectric-sensor/>)

GET A QUOTE

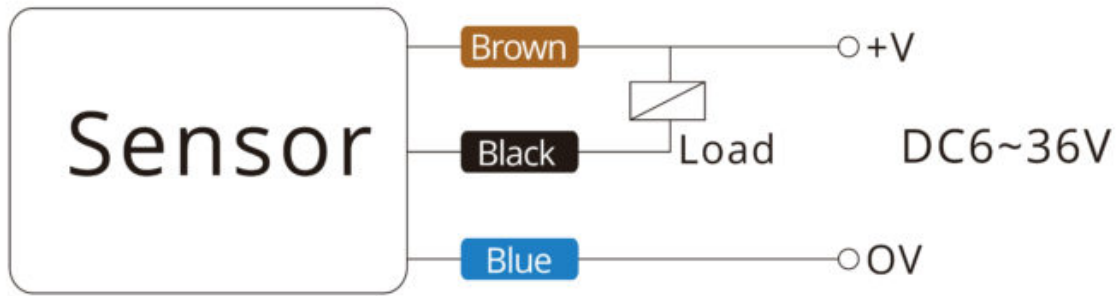
Type and Specification			
Type		Square type	
Dimension		18*50*50mm	
DC type	NPN	NO	AE3JK-R4N1
		NC	AE3JK-R4N2
		NO+NC	AE3JK-R4N3
	PNP	NO	AE3JK-R4P1
		NC	AE3JK-R4P2
		NO+NC	AE3JK-R4P3
AC type	Two-wire	NO	AE3JK-R4A1
		NC	AE3JK-R4A2
Relay output	DC illuminated	DC illuminated	AE3JK-R4M1-D
	AC illuminated	AC illuminated	AE3JK-R4M1-A
	DC non-illuminated	DC non-illuminated	AE3JK-R4M2-D
	AC non-illuminated	AC non-illuminated	AE3JK-R4M2-A
Detection range		4m±10%	
Detection target		Opaque object	
Detection range regulation		Sensitivity controller	
Response time		30ms	
Response frequency		DC: 0.5kHz, AC: 25kHz	
Delay distance		≤10% detection distance	
Connection delay		1.5ms	
Light source		Infrared light 660nm	

Type and Specification	
Supply voltage	DC type: DC 12-24V (6-36V), Impulse (p-p) 10% below; AC type: AC 110-220V (90-250V) 50/60Hz; DC/AC type: DC 12-240V/AC 24-240V, 50/60Hz
Withstand voltage	AC1000V 50/60Hz 1min between charging part and housing
Voltage influence	Inside $\pm 15\%$ rated supply voltage range, at rated supply voltage value, inside $\pm 10\%$ detection distance
Power current	$\leq 3\text{VA}$
Control output	$\leq 2\text{A}$ (contact service life: 0.1 million times)
Allowed impulsion and vibration	$B \leq 30\text{g}$, $T \leq 11\text{ms}$, $f \leq 55\text{Hz}$, $a \leq 1\text{mm}$
Ambient temperature & humidity	Operation temperature/storage temperature: $-30 \sim 65^\circ\text{C}$ (no freeze, no dew); Operation humidity/storage humidity: $35 \sim 95\% \text{RH}$
Temperature influence	Temperature range $-30 \sim 65^\circ\text{C}$, at $+23^\circ\text{C}$, $\pm 15\%$ detection distance; Temperature range $-25 \sim 60^\circ\text{C}$, at $+23^\circ\text{C}$, $\pm 10\%$ detection distance
Insulation impedance	$\geq 50\text{M}\Omega$ (DC500 megameter) between charging part and housing
Material	Housing: Aluminum die casting (ABS), Detection surface (lens): PMMA
Protection class	IP65
Cable length	2m



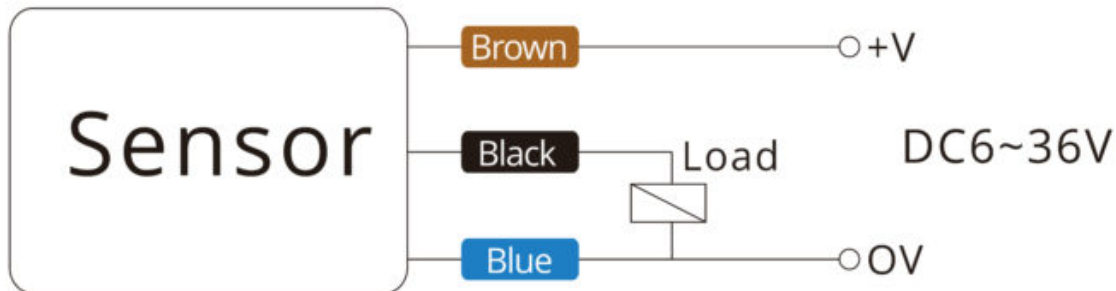
AE3JK-R4N1/N2

1. DC 3-Wire NPN models NO or NC



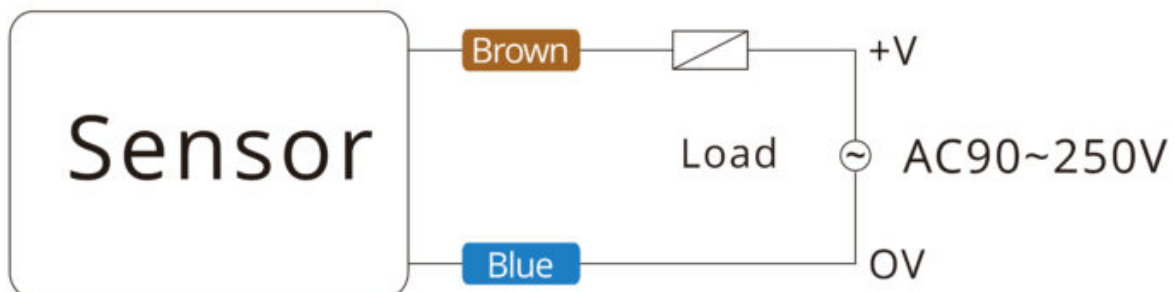
AE3JK-R4P1/P2

2. DC 3-Wire PNP models NO or NC



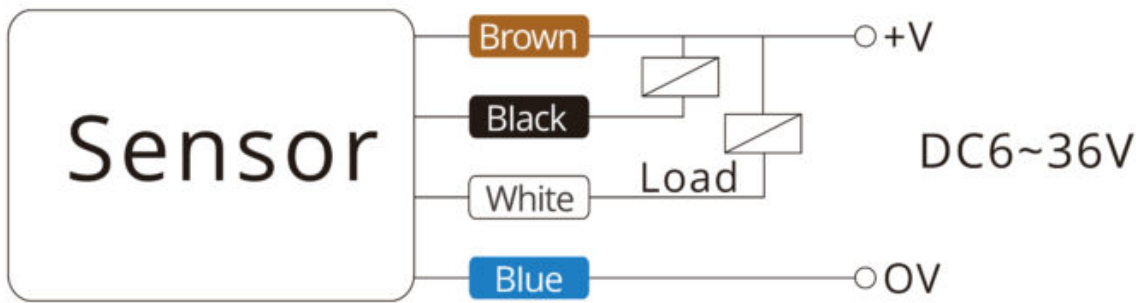
AE3JK-R4A1/A2

4. AC 2-Wire models NO or NC



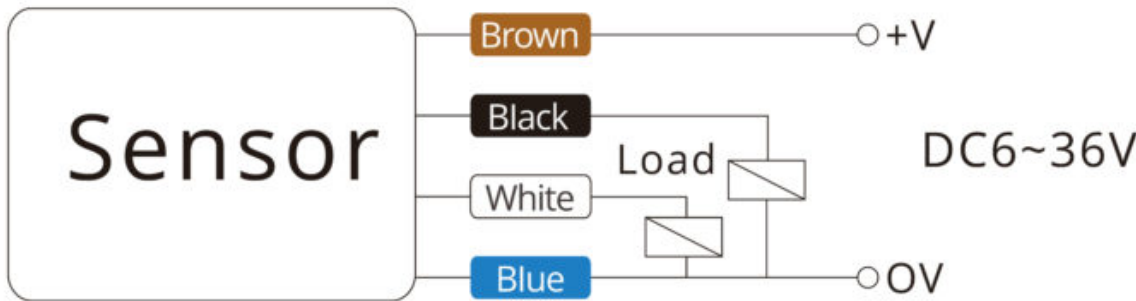
AE3JK-R4N3

5.DC 4-Wire NPN models NO or NC



AE3JK-R4P3

6.DC 4-Wire PNP models NO or NC



AE3JK-R4M1/M2-D/A

7.AC/DC 5-wire(relay output) NO or NC

