



(<https://www.omchsmpls.com/wp-content/uploads/2022/06/12-2-2.jpg>)

# HLJ12A3-2-Z/P1

首页 (<https://www.omchsmpls.com>) / Waterproof Proximity Sensor

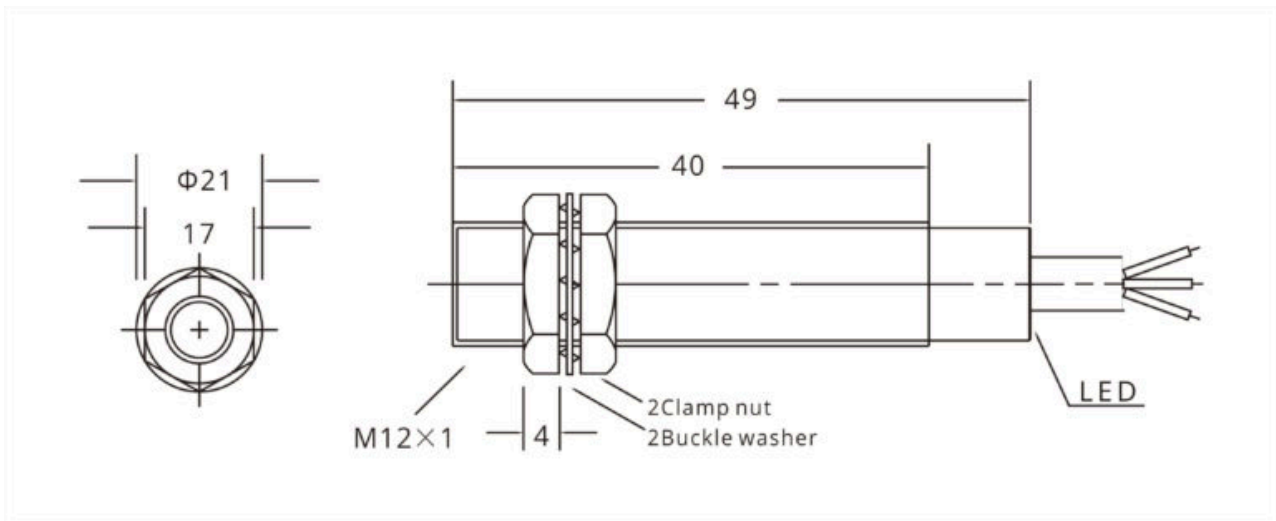
(<https://www.omchsmpls.com/product-category/waterproof-proximity-sensor/>) / HLJ12A3-2-Z/P1

**类别** Waterproof Proximity Sensor (<https://www.omchsmpls.com/product-category/waterproof-proximity-sensor/>)

## GET A QUOTE

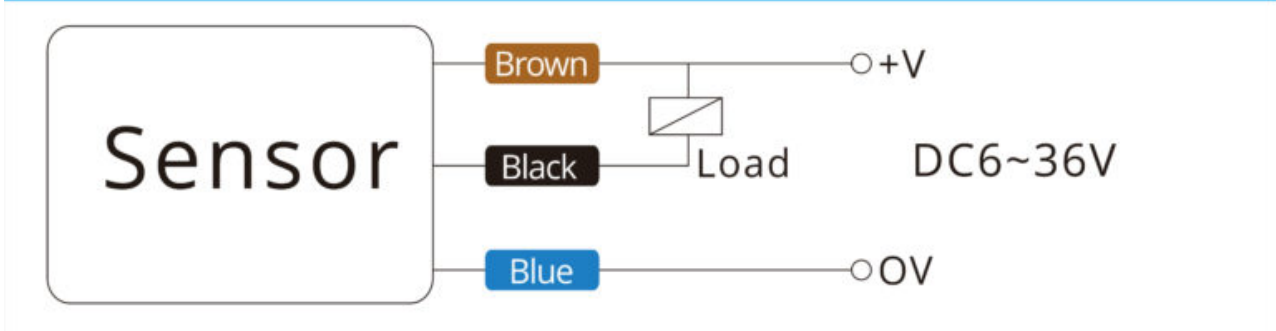
Type and Specification				
Dimension		M12*1		
Installation type		Shielded		
All the output methods	DC type	NPN	NO	HLJ12A3-2-Z/N1
			NC	HLJ12A3-2-Z/N2
			NO+NC	HLJ12A3-2-Z/N3
		PNP	NO	HLJ12A3-2-Z/P1
			NC	HLJ12A3-2-Z/P2
			NO+NC	HLJ12A3-2-Z/P3
	Two-wire	NO	HLJ12A3-2-Z/D1	
		NC	HLJ12A3-2-Z/D2	
	AC type	Two-wire	NO	HLJ12A3-2-J/A1
			NC	HLJ12A3-2-J/A2
Detection range		2mm±10%		
Setting distance		0-1.6mm		
Delay distance		≤10% detection range		
Detection object		Magnetic metal (the detection distance decreases when it is non-magnetic metal)		
Standard detection object		SPCC iron 12*12*1mm		
Response frequency		DC: 1kHz, AC: 50Hz		
Supply voltage		DC type: DC 12-24V (6-36V), impulse (p-p) 10% below; AC type: AC 110-220V (90-250V) 50/60Hz		
Withstand voltage		AC1000V 50/60Hz 1min between charging part and housing		
Voltage influence		Inside ±15% rated supply voltage range, at rated supply voltage value, inside ±10% detection distance		
Consumption current		N/P type: ≤13mA, D type: ≤0.8mA, A type: ≤1.7mA		
Control output		N/P type: ≤200mA, D type: ≤200mA, A type: ≤200mA		
Loop protection		N/P/D type: reversal connection protection, surge absorption, load short-circuit protection, A type: surge absorption		

Type and Specification	
Ambient temperature & humidity	Operation temperature/storage temperature: -30~65°C (no freeze, no dew); Operation humidity/storage humidity: 35~95%RH
Temperature influence	Temperature range -30~65°C, at +23°C, ±15% detection distance; Temperature range -25~60°C, at +23°C, ±10% detection distance
Insulation impedance	≥50MΩ (DC500 megameter) between charging part and housing
Material	Housing: Nickel plated brass, Detection surface: ABS
Protection class	IP67
Cable length	2m



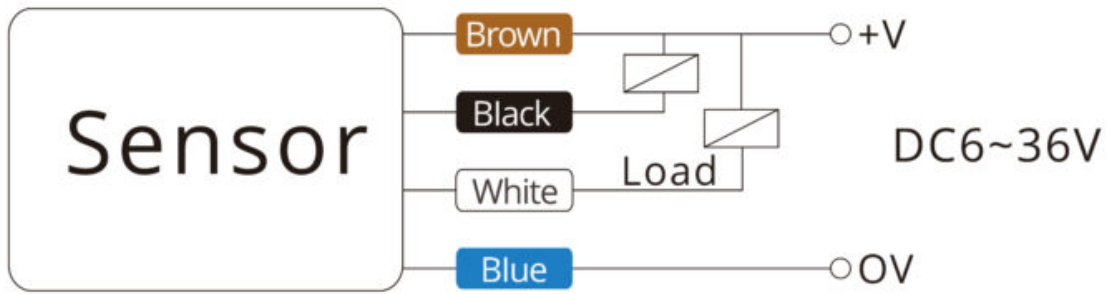
# HLJ12A3-2-Z/N1/N2

## 1. DC 3-Wire NPN models NO or NC



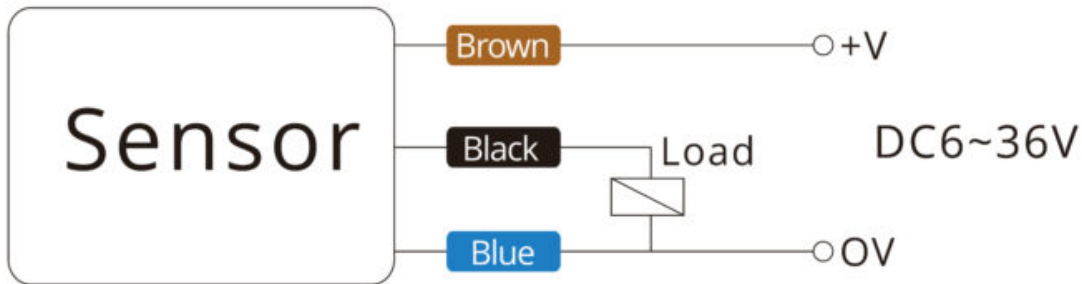
# HLJ12A3-2-Z/N3

## 5.DC 4-Wire NPN models NO or NC



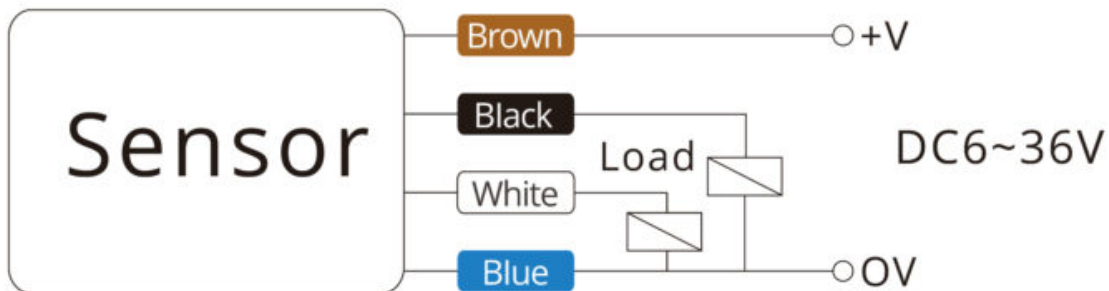
# HLJ12A3-2-Z/P1/P2

## 2.DC 3-Wire PNP models NO or NC



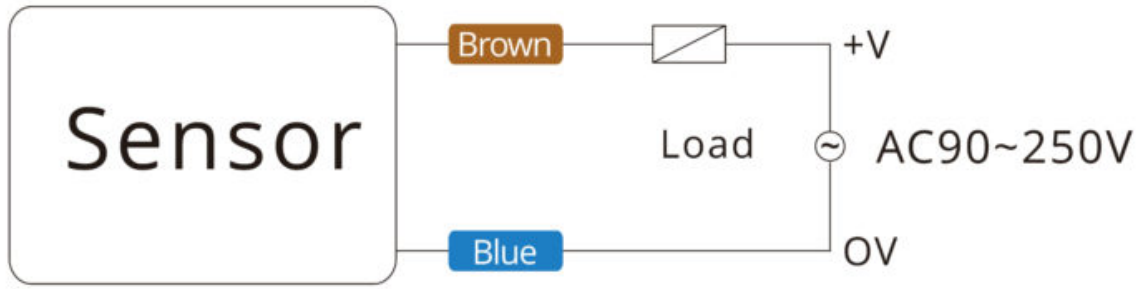
# HLJ12A3-2-Z/P3

## 6.DC 4-Wire PNP models NO or NC



# HLJ12A3-2-J/A1/A2

## 4.AC 2-Wire models NO or NC



# HLJ12A3-2-Z/D1/D2

## 3.DC 2-Wire models NO or NC

