



(<https://www.omchsmps.com/wp-content/uploads/2022/06/12-4-3.jpg>)

HLJ12A3-4-Z/P1

首页 (<https://www.omchsmps.com>) / Waterproof Proximity Sensor
(<https://www.omchsmps.com/product-category/waterproof-proximity-sensor/>) / HLJ12A3-4-Z/P1

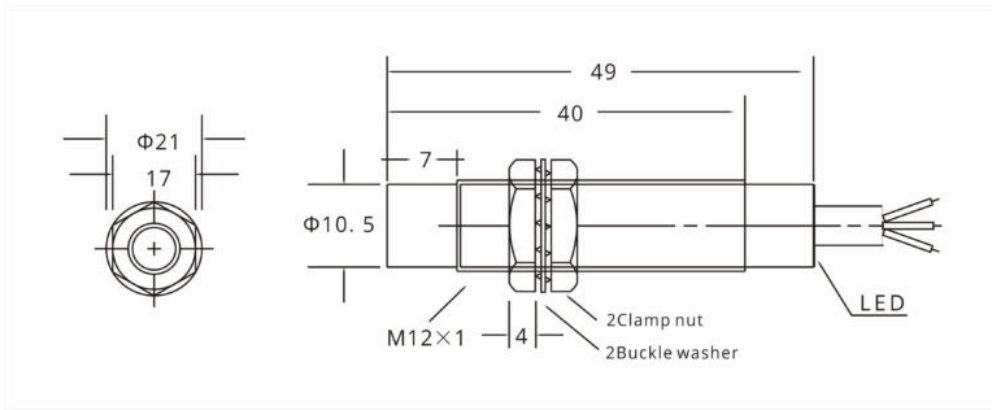
类别 Waterproof Proximity Sensor (<https://www.omchsmps.com/product-category/waterproof-proximity-sensor/>)

GET A QUOTE

SPM=A2G00.STORE_PC_GROUPLIST.8148356.43.7FAC5546CMPZBQ&PDP_NPI=2%40DIS%21USD%21US%20%2
(<https://www.aliexpress.com>)

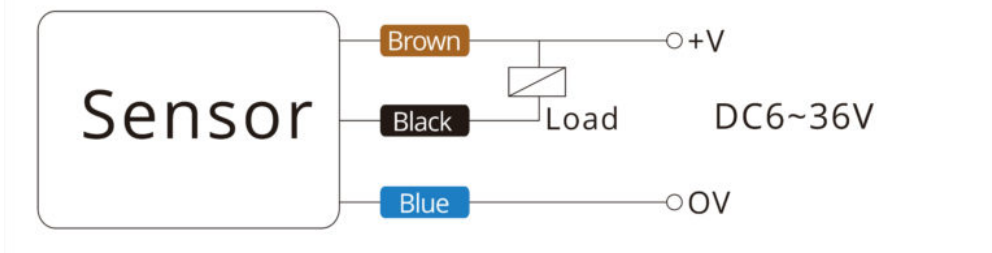
Type and Specification	
Dimension	M12*1
Installation type	Unshielded

Type and Specification				
All the output methods	DC type	NPN	NO	HLJ12A3-4-Z/N1
			NC	HLJ12A3-4-Z/N2
			NO+NC	HLJ12A3-4-Z/N3
		PNP	NO	HLJ12A3-4-Z/P1
			NC	HLJ12A3-4-Z/P2
			NO+NC	HLJ12A3-4-Z/P3
	Two-wire	NO	HLJ12A3-4-Z/D1	
		NC	HLJ12A3-4-Z/D2	
	AC type	Two-wire	NO	HLJ12A3-4-J/A1
			NC	HLJ12A3-4-J/A2
Detection range			4mm±10%	
Setting distance			0-3.6mm	
Delay distance			≤10% detection range	
Detection object			Magnetic metal (the detection distance decreases when it is non-magnetic metal)	
Standard detection object			SPCC iron 15*15*1mm	
Response frequency			DC: 1kHz, AC: 50Hz	
Supply voltage			DC type: DC 12-24V (6-36V), impulse (p-p) 10% below; AC type: AC 110-220V (90-250V) 50/60Hz	
Withstand voltage			AC1000V 50/60Hz 1min between charging part and housing	
Voltage influence			Inside ±15% rated supply voltage range, at rated supply voltage value, inside ±10% detection distance	
Consumption current			N/P type: ≤13mA, D type: ≤0.8mA, A type: ≤1.7mA	
Control output			N/P type: ≤200mA, D type: ≤200mA, A type: ≤200mA	
Loop protection			N/P/D type: reversal connection protection, surge absorption, load short-circuit protection, A type: surge absorption	
Ambient temperature & humidity			Operation temperature/storage temperature: -30~65°C (no freeze, no dew); Operation humidity/storage humidity: 35~95%RH	
Temperature influence			Temperature range -30~65°C, at +23°C, ±15% detection distance; Temperature range -25~60°C, at +23°C, ±10% detection distance	
Insulation impedance			≥50MΩ (DC500 megameter) between charging part and housing	
Material			Housing: Nickel plated brass, Detection surface: ABS	
Protection class			IP67	
Cable length			2m	



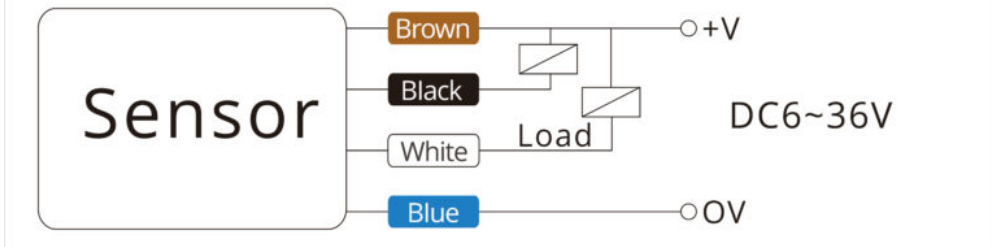
HLJ12A3-4-Z/N1/N2

1. DC 3-Wire NPN models NO or NC



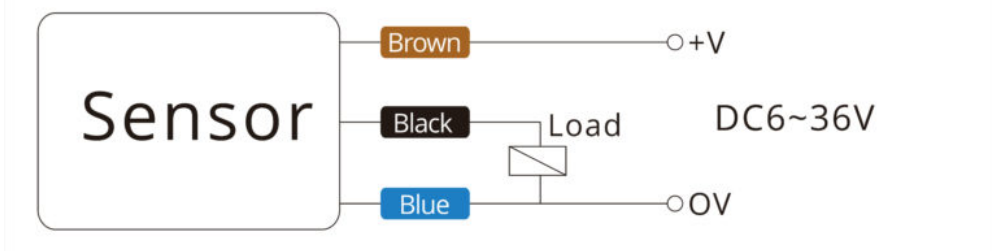
HLJ12A3-4-Z/N3

5. DC 4-Wire NPN models NO or NC



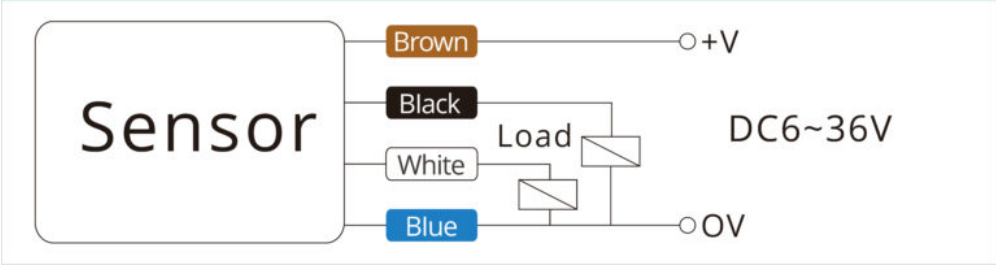
HLJ12A3-4-Z/P1/P2

2. DC 3-Wire PNP models NO or NC



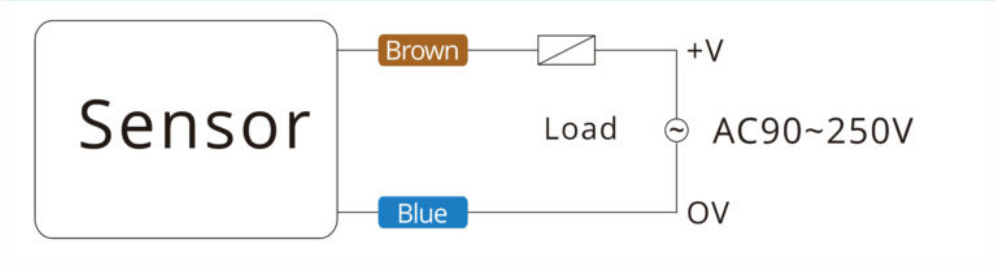
HLJ12A3-4-Z/P3

6.DC 4-Wire PNP models NO or NC



HLJ12A3-4-J/A1/A2

4.AC 2-Wire models NO or NC



HLJ12A3-4-Z/D1/D2

3.DC 2-Wire models NO or NC

