



(<https://www.omchsmpls.com/wp-content/uploads/2022/06/18-5-2.jpg>)

HLJ18A3-5-Z/P1

首页 (<https://www.omchsmpls.com>) / Waterproof Proximity Sensor

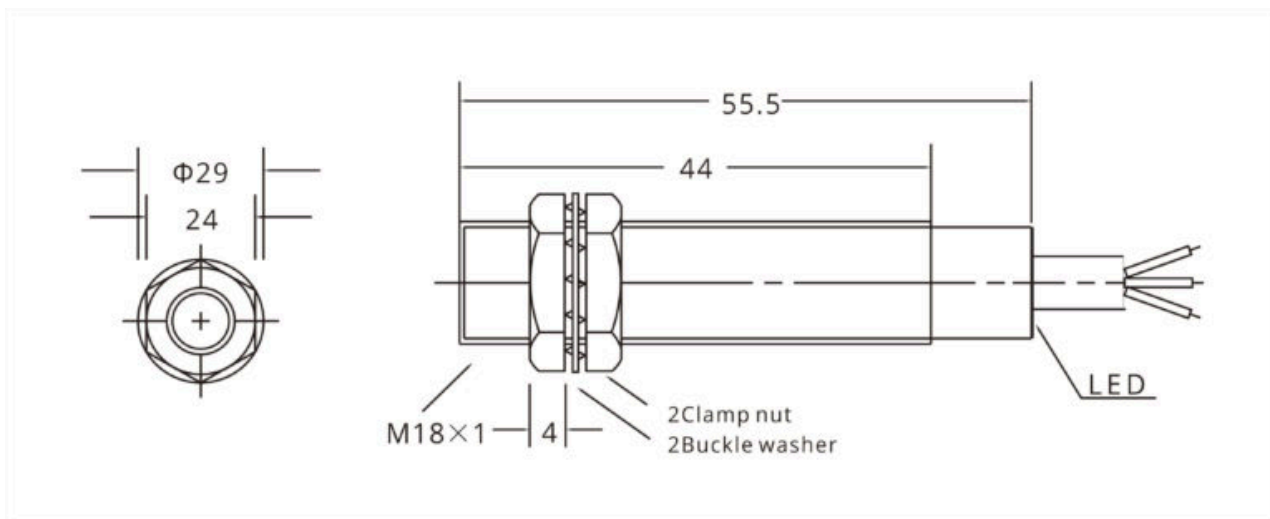
(<https://www.omchsmpls.com/product-category/waterproof-proximity-sensor/>) / HLJ18A3-5-Z/P1

类别 Waterproof Proximity Sensor (<https://www.omchsmpls.com/product-category/waterproof-proximity-sensor/>)

GET A QUOTE

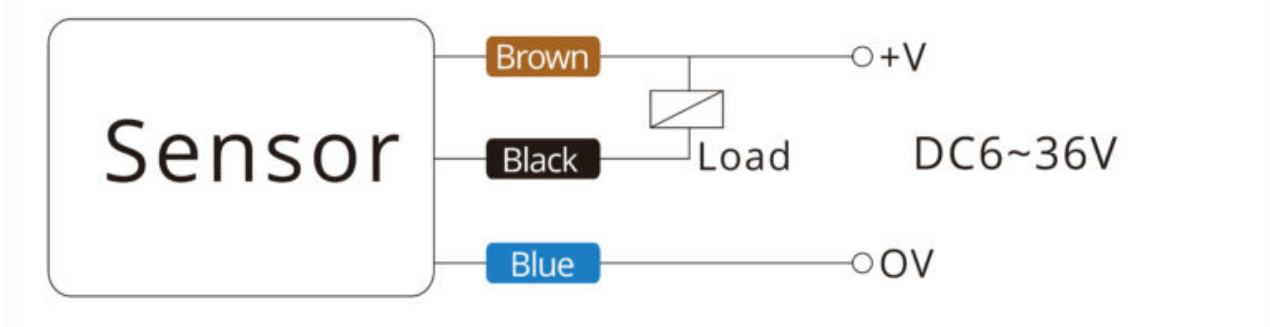
Type and Specification				
Dimension			M18*1	
Installation type			Shielded	
All the output methods	DC type	NPN	NO	HLJ18A3-5-Z/N1
			NC	HLJ18A3-5-Z/N2
			NO+NC	HLJ18A3-5-Z/N3
		PNP	NO	HLJ18A3-5-Z/P1
			NC	HLJ18A3-5-Z/P2
			NO+NC	HLJ18A3-5-Z/P3
	Two-wire	NO	HLJ18A3-5-Z/D1	
		NC	HLJ18A3-5-Z/D2	
	AC type	Two-wire	NO	HLJ18A3-5-J/A1
			NC	HLJ18A3-5-J/A2
		Three-wire	NO+NC	HLJ18A3-5-J/A3
	Detection range			5mm±10%
Setting distance			0-4mm	
Delay distance			≤10% detection range	
Detection object			Magnetic metal (the detection distance decreases when it is non-magnetic metal)	
Standard detection object			SPCC iron 18*18*1mm	
Response frequency			DC: 0.8kHz, AC: 50Hz	
Supply voltage			DC type: DC 12-24V (6-36V), impulse (p-p) 10% below; AC type: AC 110-220V (90-250V) 50/60Hz	
Withstand voltage			AC1000V 50/60Hz 1min between charging part and housing	
Voltage influence			Inside ±15% rated supply voltage range, at rated supply voltage value, inside ±10% detection distance	
Consumption current			N/P type: ≤13mA, D type: ≤0.8mA, A type: ≤1.7mA	
Control output			N/P type: ≤200mA, D type: ≤200mA, A type: ≤200mA	

Type and Specification	
Loop protection	N/P/D type: reversal connection protection, surge absorption, load short-circuit protection, A type: surge absorption
Ambient temperature & humidity	Operation temperature/storage temperature: -30~65°C (no freeze, no dew); Operation humidity/storage humidity: 35~95%RH
Temperature influence	Temperature range -30~65°C, at +23°C, ±15% detection distance; Temperature range -25~60°C, at +23°C, ±10% detection distance
Insulation impedance	≥50MΩ (DC500 megameter) between charging part and housing
Material	Housing: Nickel plated brass, Detection surface: ABS
Protection class	IP67
Cable length	2m



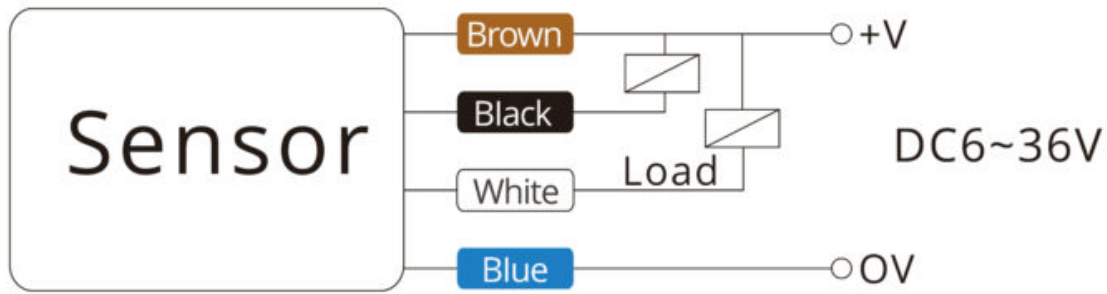
HLJ18A3-5-Z/N1/N2

1. DC 3-Wire NPN models NO or NC



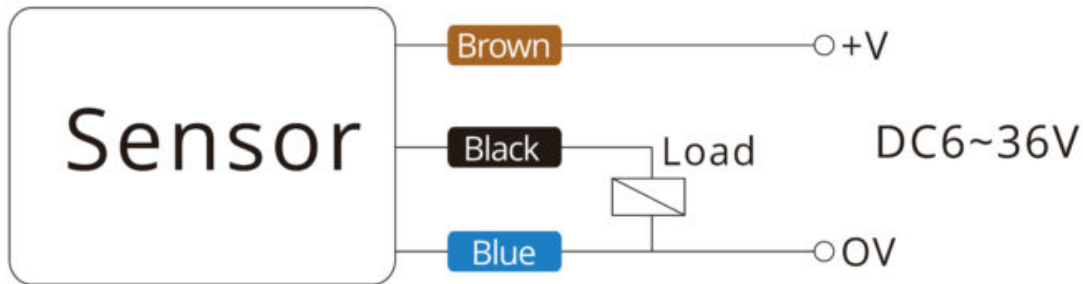
HLJ18A3-5-Z/N3

5.DC 4-Wire NPN models NO or NC



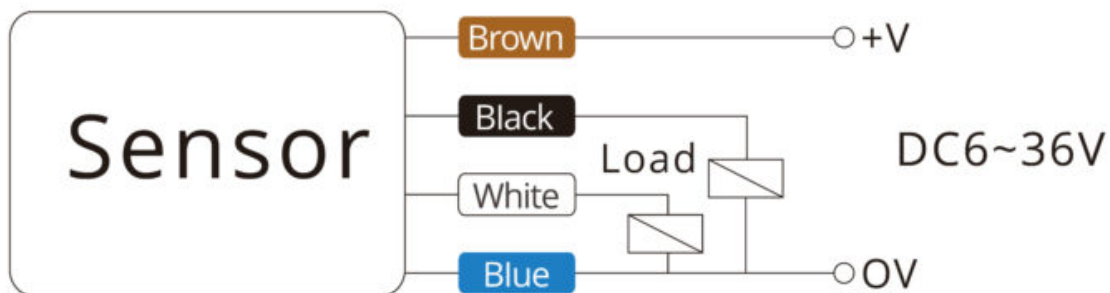
HLJ18A3-5-Z/P1/P2

2.DC 3-Wire PNP models NO or NC



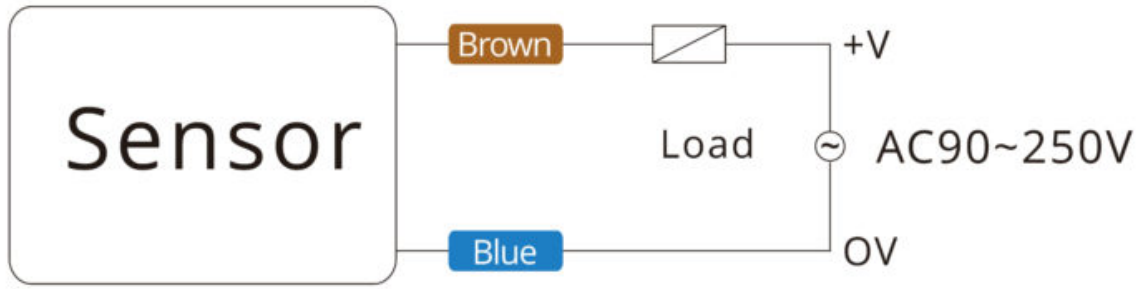
HLJ18A3-5-Z/P3

6.DC 4-Wire PNP models NO or NC



HLJ18A3-5-J/A1/A2

4.AC 2-Wire models NO or NC



HLJ18A3-5-J/A3

8.AC 4-Wire models NO or NC



HLJ18A3-5-Z/D1/D2

3.DC 2-Wire models NO or NC

